

SYM	REV	DESCRIPTION	DATE
C	SEE VOIDED DWG FOR REVISION HISTORY		
D	REDRAWN IN CAD		
E	ADDED ITEMS 30 & 31. ADDED ASSY VIEW FOR 1012200, 1014391 & 1099770.		

SYM	REV	DESCRIPTION	DATE
2	2	FLATWASHER 1/4"	1005282
2	2	HEX HEAD CAP SCREW 1/4-28 X 1"	1005376
1	1	WIPER, BASE LH PEPP NEW IDLE ASSY	1099768
1	1	WIPER, TOP LH PEPP NEW IDLE ASSY	1099769
1	1	WIPER BASE, BLADE, LH MACHINE	C1028393
1	1	WIPER BASE, BLADE, RH MACHINE	C1028392
1	1	WIPER, BLADE, BASE, LH, DELRIN	B1017009
1	1	WIPER, BLADE, TOP, LH, DELRIN	B1017008
1	1	WIPER, BLADE, BASE, LH, STN STL	C1011369
1	1	WIPER, BLADE, TOP, LH, STN STL	B1018529
1	1	WIPER BASE, PEPP, MIRROR IMAGE	B1012199
1	1	WIPER TOP, PEPP, MIRROR IMAGE	B1012197
1	1	MOUNT PLATE, WIPER BASE (NS)	A1012860
1	1	SLEEVE CONNECTOR, HOSE	1008995
1	1	MALE CONNECTOR, HOSE	1008994
1	1	WIPER, BASE, LH	B1011368
1	1	WIPER, TOP, LH	C1011748
1	1	WIPER, BASE, PEPP-A-MATIC	B1012198
1	1	WIPER, TOP, PEPP-A-MATIC	B1012196
1	1	WIPER BLADE, TOP	B1011336
1	1	WIPER, BLADE, BASE	C1011337
1	1	WIPER, BLADE, BASE	1008460
2	2	HEX HEAD CAP SCREW 10-32 UNF X 1 1/4 LG	1006018
1	1	WIPER, BLADE, TOP	1008479
1	1	LOCKING PIN	1001590
1	1	INSERT, TUBING	P1011558
1	1	WIPER, BLADE, BASE	1008478
1	1	WIPER, BLADE, TOP	1008477
1	1	COMPRESSION SPRING	1000778
1	1	LOCKING HANDLE	1008475
1	1	FITTING, MALE CONNECTOR	P1011559

EPP-A-MATIC, NEW IDLE
MATIC MIRROR IMAGE
EPP-A-MATIC

EPP-A-MATIC
MATIC MIRROR IMAGE
EPP-A-MATIC, NEW IDLE

MODEL 530, LH, S/A
H, MODEL 517 & 522

MODEL 530 S/A

MODEL 530 S/A

H, MODEL 517 & 522
MODEL 530, LH, S/A
XNAGRA) RH RAD.
ZAR
XNAGRA) LH RAD.
ZAR

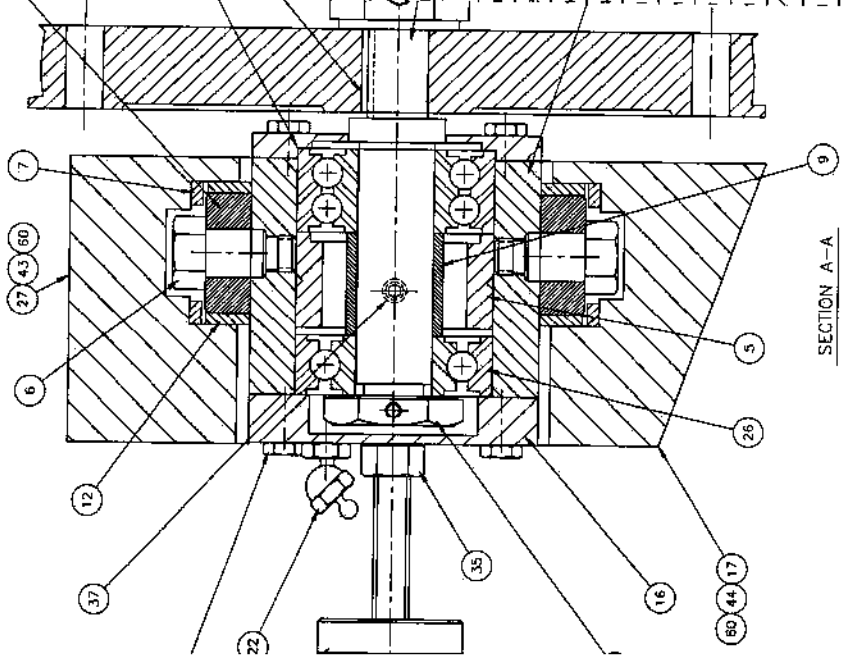
1009520	ASSEMBLY NUMBER
1009730	ASSEMBLY NUMBER
1011546	ASSEMBLY NUMBER
1012200	ASSEMBLY NUMBER
1011370	ASSEMBLY NUMBER
1012865	ASSEMBLY NUMBER
1012866	ASSEMBLY NUMBER
1014391	ASSEMBLY NUMBER
1016537	ASSEMBLY NUMBER
1017010	ASSEMBLY NUMBER
1028395	ASSEMBLY NUMBER
1028396	ASSEMBLY NUMBER
1099770	ASSEMBLY NUMBER

1009520	ASSEMBLY NUMBER
1009730	ASSEMBLY NUMBER
1011546	ASSEMBLY NUMBER
1012200	ASSEMBLY NUMBER
1011370	ASSEMBLY NUMBER
1012865	ASSEMBLY NUMBER
1012866	ASSEMBLY NUMBER
1014391	ASSEMBLY NUMBER
1016537	ASSEMBLY NUMBER
1017010	ASSEMBLY NUMBER
1028395	ASSEMBLY NUMBER
1028396	ASSEMBLY NUMBER
1099770	ASSEMBLY NUMBER

1009520	ASSEMBLY NUMBER
1009730	ASSEMBLY NUMBER
1011546	ASSEMBLY NUMBER
1012200	ASSEMBLY NUMBER
1011370	ASSEMBLY NUMBER
1012865	ASSEMBLY NUMBER
1012866	ASSEMBLY NUMBER
1014391	ASSEMBLY NUMBER
1016537	ASSEMBLY NUMBER
1017010	ASSEMBLY NUMBER
1028395	ASSEMBLY NUMBER
1028396	ASSEMBLY NUMBER
1099770	ASSEMBLY NUMBER

SYM	REV	DESCRIPTION	DATE
A	ITEM 24 WAS 1006473, ITEM 63 WAS 1008164.		5-12-04
B	ITEM 30 WAS 1005336. QTY OF ITEM 33 WAS 2.		9-20-04

SYM	REV	DESCRIPTION	DATE
2	2	CONE POINT SET SCREW, 1/4-20 x 3/8 LG	P1005316
1	1	CUP POINT SET SCREW, 8-32 x 1/4 LG	P1005315
1	1	HEX NUT, 3/8-24	P1005233
1	1	KEY, SQUARE, 1/8, .50 LG	D1015344
1	1	WASHER, 1/2 ID FLAT	P1005328
12	12	HEX HEAD CAP SCREW, 3/8-24 x 1 1/2 LG	P1005279
1	1	CUP POINT SET SCREW, 1/4-20 x 3/8 LG	P1005314
6	6	SOCKET HEAD CAP SCREW, 1/4-28 x 3/4 LG	1005807
4	4	HEX HEAD CAP SCREW, 10-32 x 1" LG	P1005335
4	4	HEX HEAD CAP SCREW, 10-32 x 3/4 LG	P1005310
1	1	BLOCK, BEARING TOP ALUM	C1002477
1	1	BEARING, SINGLE ROW BALL	P1000046
1	1	BEARING, DOUBLE ROW BALL	P1000047
1	1	SPRING, COMP, DIE (RED) MHP, VINYL	1127940
23	23		
1	1	GREASE FITTING	P1000140
1	1	PULLEY, BLADE, 7.395 DIA	C1003656
1	1	SIDE MOUNT BLOCK, L.H. ALUM	C1002376
1	1	SIDE MOUNT BLOCK, R.H. ALUM	C1002375
1	1	LOCKNUT, PULLEY	A1001005
1	1	SLIDE BLOCK, BOTTOM ALUM	C1003657
1	1	REAR CAP, BEARING HOUSING	B1005248
1	1	PIVOT BLOCK, BEARING HOUSING	C1003491
1	1	CAP, BEARING HOUSING	A1001046
1	1	SHAFT, DRIVE	B1001003
4	4	SLIDE PAD, SIDE	A1001007
1	1	LOCKNUT, BEARING	A1001008
1	1	SPRING CASE	A1001020
1	1	SPACER, BEARING INNER RACE	A1001021
1	1	SCREW, PIVOT ADJUSTMENT	C1001937
2	2	SLIDE PAD, TOP/BOTTOM	A1001027
2	2	SHOULDER SCREW	D1001033
1	1	SPACER, BEARING OUTER RACE	A1001050
1	1	TENSION ALL-THD	A1001010
1	1	TENSION SPACER, PIVOT BLOCK HOUSING	A1002121
1	1	SPACER, PIVOT BLOCK HOUSING	D1001660
2	2	SLIDE BAR, PIVOT BLOCK HOUSING	A1002122



SECTION A-A

1006701	ASSEMBLY NUMBER
1014318	ASSEMBLY NUMBER
1011698	ASSEMBLY NUMBER
1021377	ASSEMBLY NUMBER

1006701	ASSEMBLY NUMBER
1014318	ASSEMBLY NUMBER
1011698	ASSEMBLY NUMBER
1021377	ASSEMBLY NUMBER
1022292	ASSEMBLY NUMBER
1044202	ASSEMBLY NUMBER
1101112	ASSEMBLY NUMBER
1012044	ASSEMBLY NUMBER

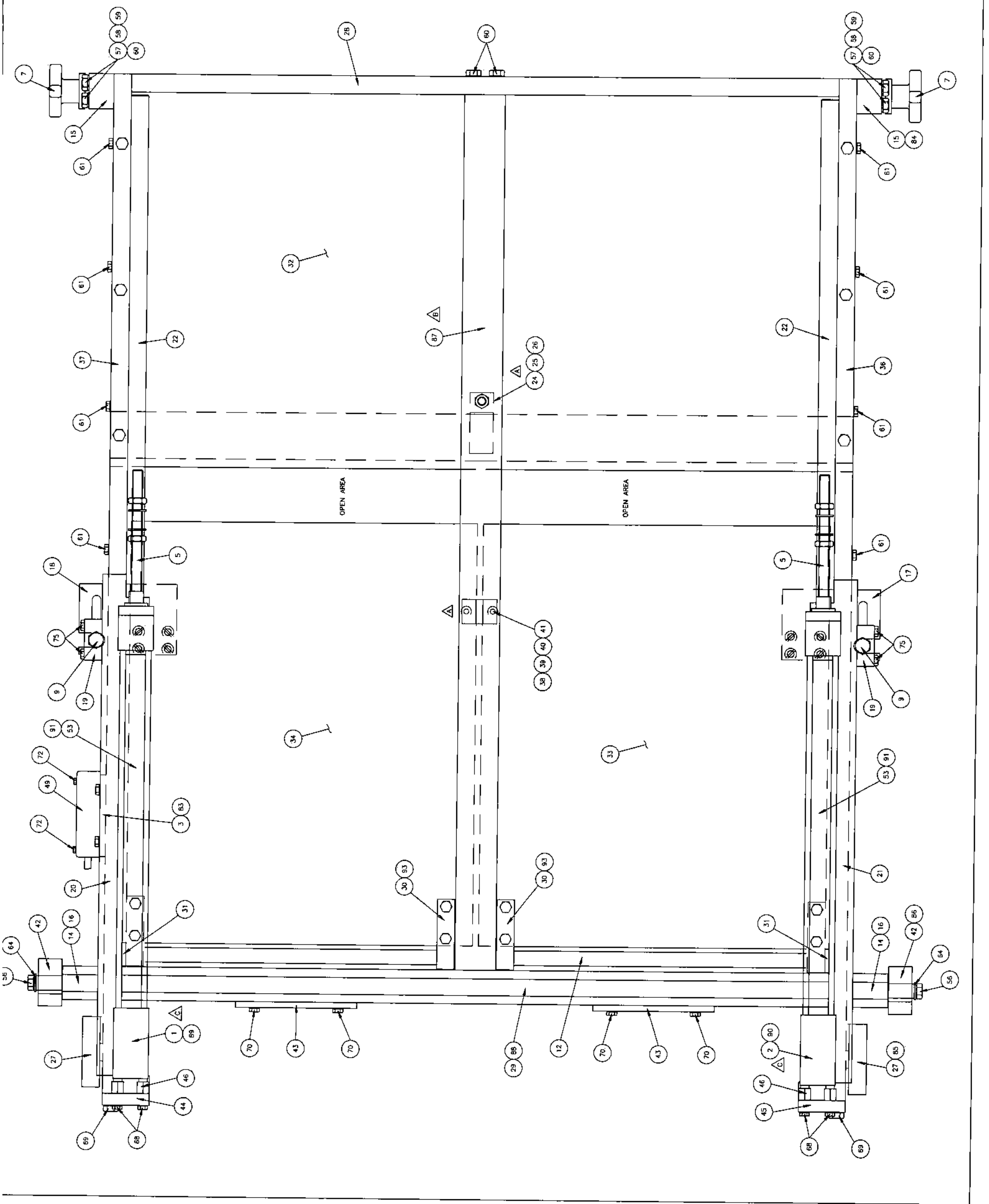
1006701	ASSEMBLY NUMBER
---------	-----------------

1006701	ASSEMBLY NUMBER
1014318	ASSEMBLY NUMBER
1011698	ASSEMBLY NUMBER
1021377	ASSEMBLY NUMBER

1006701	ASSEMBLY NUMBER
1014318	ASSEMBLY NUMBER
1011698	ASSEMBLY NUMBER
1021377	ASSEMBLY NUMBER
1022292	ASSEMBLY NUMBER
1044202	ASSEMBLY NUMBER
1101112	ASSEMBLY NUMBER
1012044	ASSEMBLY NUMBER

1006701	ASSEMBLY NUMBER
---------	-----------------

REV	DESCRIPTION	DATE
A	RELOCATED ITEMS 24, 25 & 26, ORIGINALLY SHOWN IN WRONG LOCATION	03/09/94
B	ITEM 87 WAS 1002391.	8-20-01
C	ITEM 1 WAS LABELED RH. ITEM 2 WAS LABELED LH.	8-6-03
D	DESCRIPTION OF ITEM 10 WAS PIVOT PIN, TOP ASSY.	9-10-02

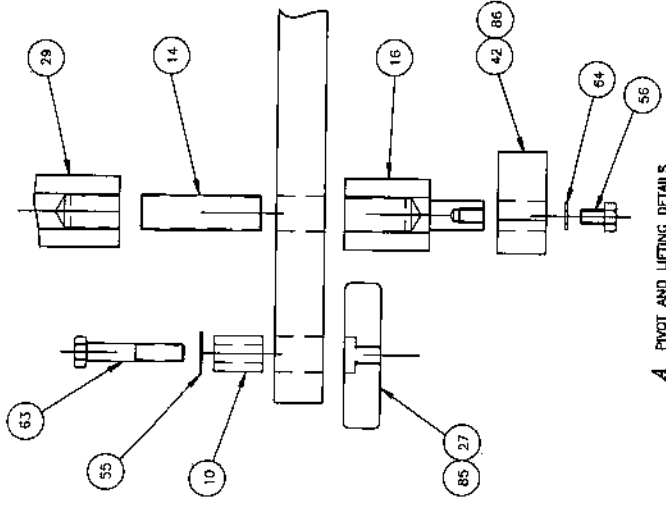


NO. RECD.	ITEM NO.	DESCRIPTION
		TOP ASSY, MODEL 1311-2 TWO WIDE PEPPERMATIC

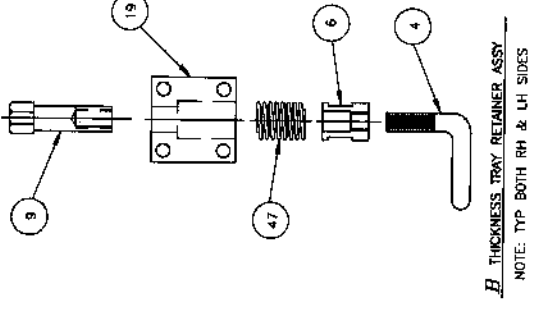
TOLERANCES (UNLESS OTHERWISE SPECIFIED):
 FRACTIONS: ± .0005
 DECIMALS: ± .0005
 ANGLES: ± .05°
 UNLESS OTHERWISE SPECIFIED, ALL DIMENSIONS ARE TO BE TAKEN FROM THE CENTER OF THE PART UNLESS OTHERWISE SPECIFIED.

DRAWN BY: BR
 CHECKED BY: BR
 DATE: 12-5-81
 SCALE: 1/2" = 1"
 NEXT ASSY: 1012002
 DRAWING NUMBER: 1043555
 SHEET: 1 OF 3
 J.E. GROTE COMPANY, INC.

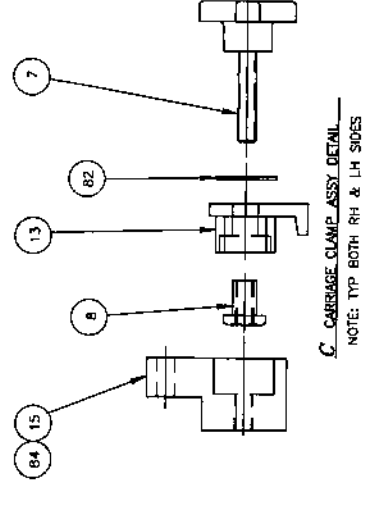
REV	DESCRIPTION	DATE
D	SEE SHEET 1 FOR REVISION HISTORY	



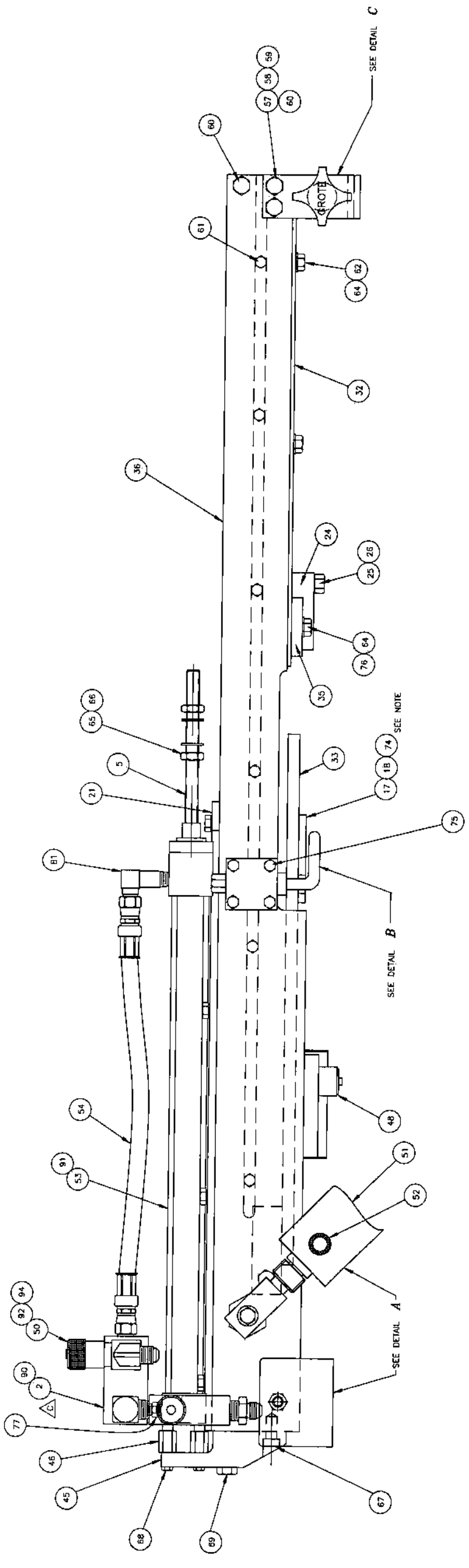
A. PIVOT AND LIFTING DETAILS
NOTE: TYP BOTH RH & LH SIDES



B. THICKNESS TRAY RETAINER ASSY
NOTE: TYP BOTH RH & LH SIDES

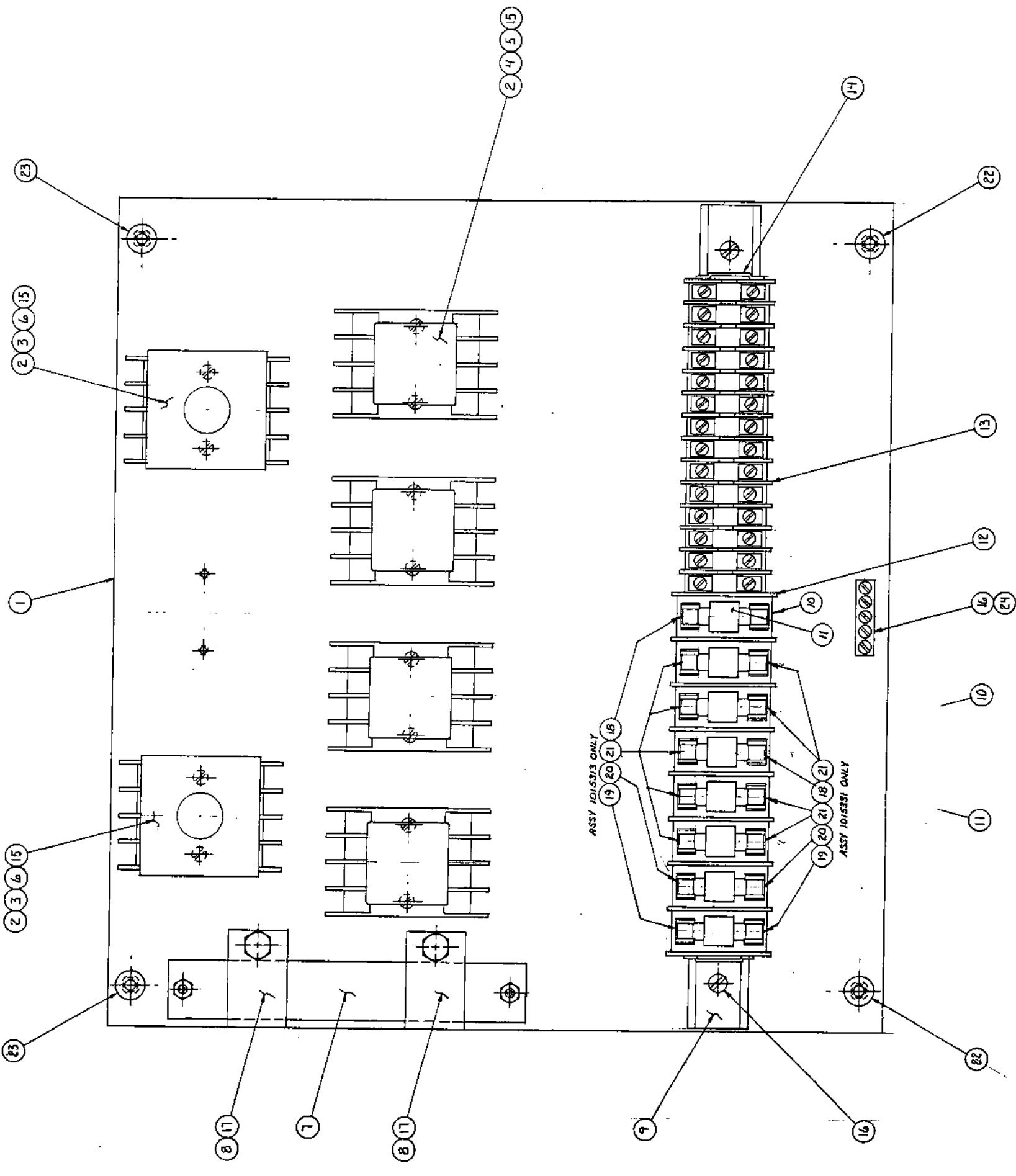


C. CARRIAGE CLAMP ASSY DETAIL
NOTE: TYP BOTH RH & LH SIDES



NOTE: INSTALL ITEM 74 FROM UNDERSIDE.
GRIND TOP SURFACE IF NECESSARY.

NO. REV'D	ITEM NO.	DESCRIPTION
<p>TOLEANCES HOLE ± .005 SHAFT ± .003 RADIUS ± .005 ANGLE ± .5°</p>		
<p>DESIGNED BY: BR CHECKED BY: BR DATE: 12-5-91 SCALE: 1/2" = 1"</p>		
<p>TITLE: TOP ASSY, MODEL 1311-2 TWO WIDE PEPPAMATIC</p>		
<p>THIS DRAWING CONTAINS INFORMATION THE PROPRIETY OF GROTE. IT IS TO BE USED ONLY FOR THE PURPOSES INTENDED BY GROTE. ANY REPRODUCTION OR TRANSMISSION OF THIS DRAWING WITHOUT THE EXPRESS WRITTEN PERMISSION OF GROTE IS PROHIBITED.</p>		
ASSEMBLY NUMBER	WEIGHT	REFERENCE
	LEBS	1012002
		DRAWING NUMBER
		1043555
		SHEET 2 OF 3
J.E. GROTE COMPANY, INC.		



NOTE: ITEMS 22 & 23 USED TO SECURE PANEL ASSEMBLY IN CONTROL BOX.

ITEM NO.	DESCRIPTION	QTY	UNIT
1	GROUND BAR, 5-SECTION	1	1000583
2	STANDOFF, STD TAP, .50 OD x .60 LG	2	1015018
2	STANDOFF, TAPPED, .50 OD x 3.5 LG	2	1015017
4	FUSE, 2.0A, 1/32 x 1 1/2	4	1015051
1	FUSE, 3.5A, 1/32 x 1 1/2	1	1015052
1	FUSE, 8.0A, 1/32 x 1 1/2	1	1015053
1	FUSE, .25R, 1/32 x 1 1/2	1	1015054
2	SCREW, 1/4-20 x 1/2 LG HEX HD	2	1005013
4	SCREW, 8-32 x 1/2 LG RD HD	4	1005037
10	SCREW, 6-32 x 1/2 LG RD HD	10	1015320
2	CLIP, TERMINAL BLOCK RETAINING	2	1008116
12	TERMINAL BLOCK	12	1008113
1	END BARRIER, TERMINAL BLOCK	1	1015128
7	FUSE PULLER	7	1014841
7	FUSE CLIP, CHANNEL MOUNT	7	1014840
13.5	CHANNEL, TERMINAL BLOCK MOUNTING	13.5	1008114
2	CLAMP, PANEL HEATER	2	1008319
1	HEATER, STRIP, TYPE 1, 540VAC, 100W	1	1008294
2	RETAINING CLIP, TIME DELAY RELAY	2	1010604
3	RELAY HOLD DOWN SPRING	3	1000524
3	RELAY, 120VAC, DPDT	3	0000526
2	RELAY, TIME DELAY, 120VAC, ON DELAY	2	1010592
5	SOCKET, RELAY, 8-PIN OCTAL	5	1000119
1	SUB PLATE, 2 W, REMOTE PWR & WATER	1	1015006

ASSY 1015313 USED ON 2 WIDE & 2 WIDE TDM CENTER ENCLOSURE
 ASSY 1015331 USED ON TDM & WIDE ENTRANCE ENCLOSURE

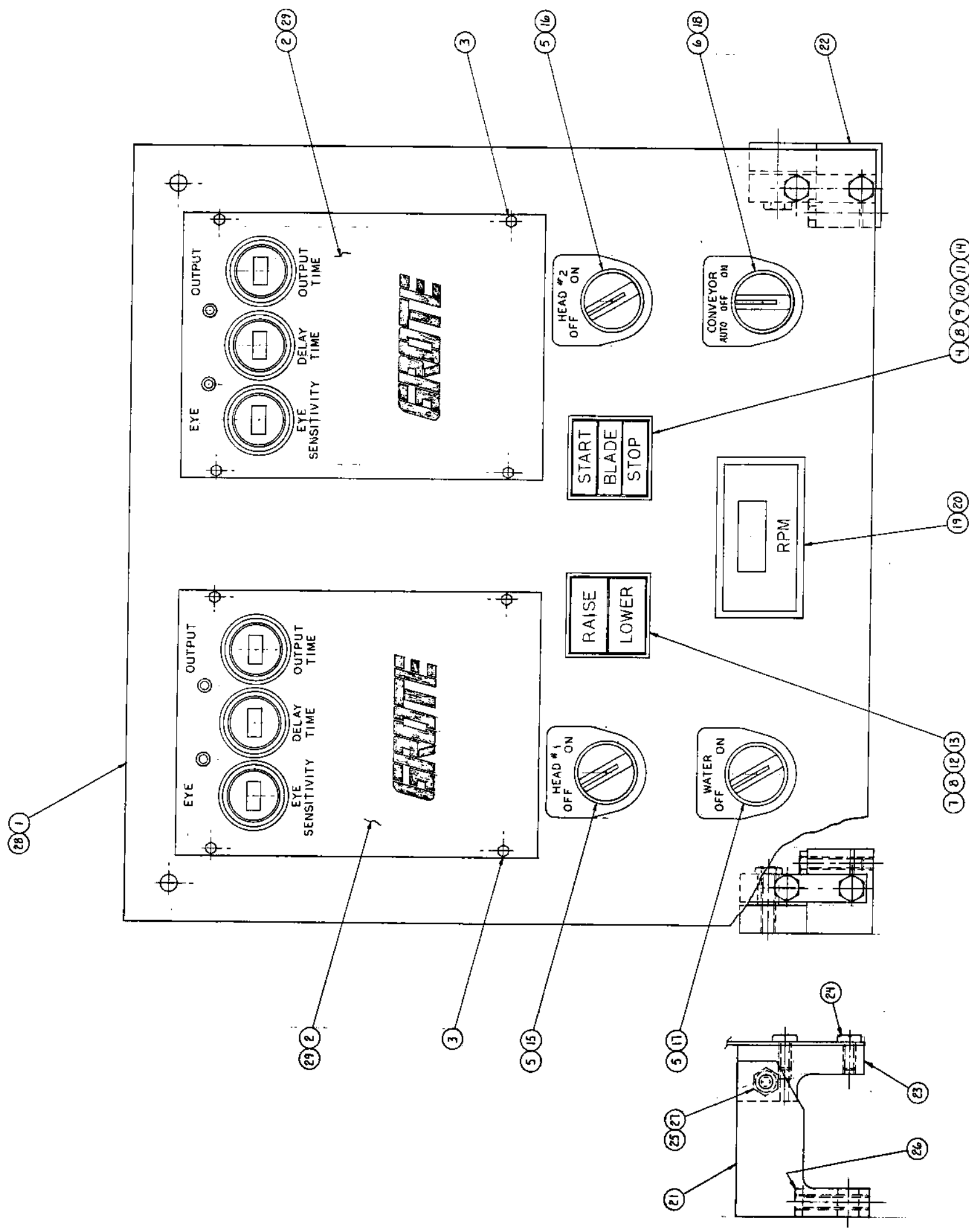
MANUAL COPY

TOLERANCES UNLESS SPECIFIED:
 FRACTIONS .0015"
 DECIMALS .0015"
 DIMENSIONS .0015"
 SPECIFICATIONS 1015313

TITLE: SUB PANEL ASSY
 DRAWN BY: R.J.F.
 DATE: 3-20-84
 CHECKED BY: [Signature]
 NEXT ASSY: [Blank]

MAIN: 85-01/85-012
 DRAWING NUMBER: 1015313
 JE. GROTE COMPANY, INC.

MANUAL COPY



— ASSY 1015314 USED ON 2 WIDE
 — ASSY 1015333 USED ON TDM 2 WIDE CENTER ENCLOSURE
 — ASSY 1015332 USED ON TDM 2 WIDE ENTRANCE ENCLOSURE

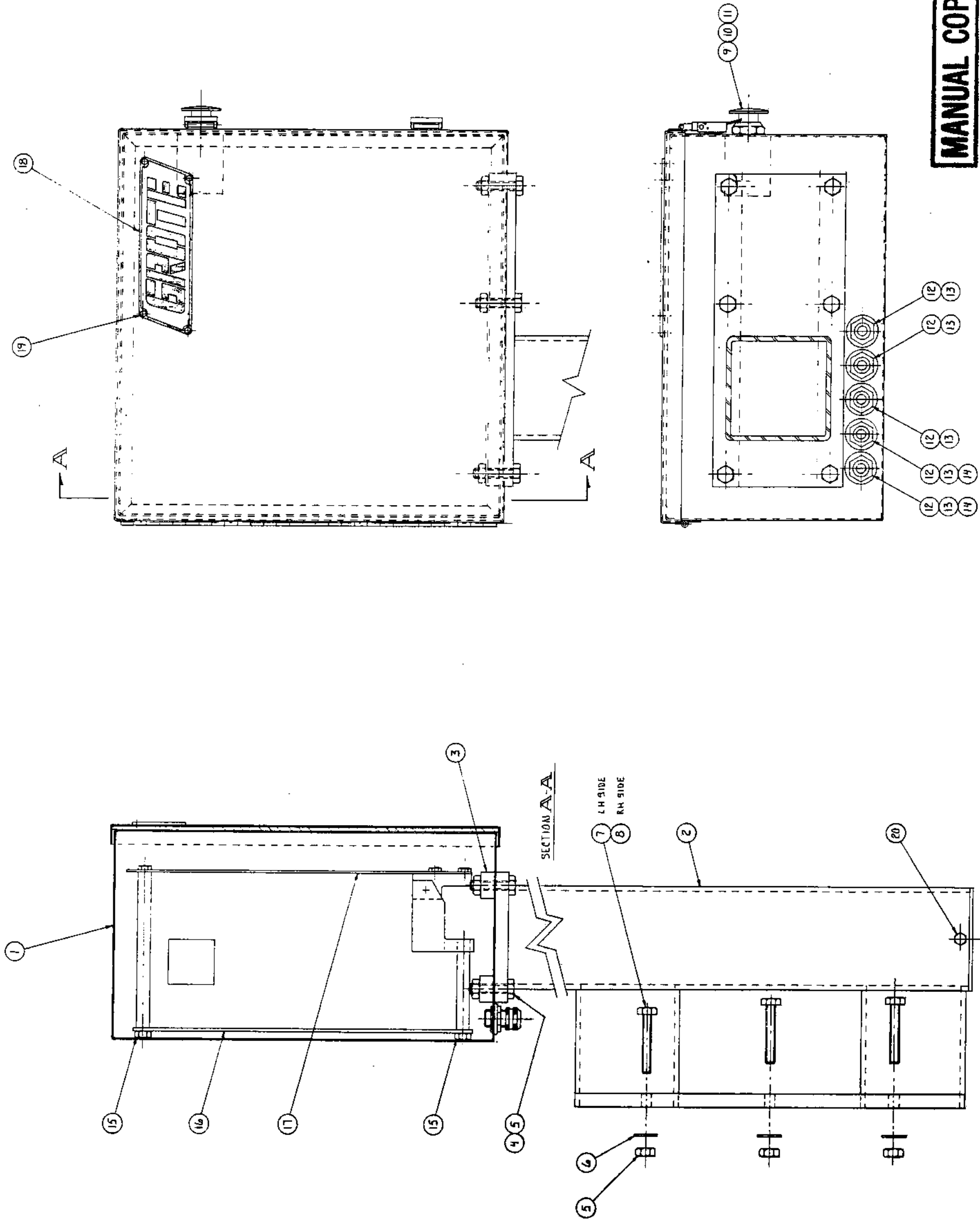
US REQ'D	NO REQ'D	ITEM NO	DESCRIPTION
1	1	1	MODULE, CONTROL, 2-WIDE REMOTE PWR D 1015003
1	1	1	PANEL, CONTROL, 2-WIDE REMOTE PWR D 1015003
1	1	2	MODULE, STD CONTROL 1000510
1	1	3	SCREW, 6-32 x 1/4 LG HEX HD 1014595
1	1	4	SCREW OPERATOR, 2-BUTTON 1000097
1	1	5	SWITCH, SELECT, 2-POS, MAINTAINED 1012905
1	1	6	SWITCH, SELECT, 3-POS, MAINTAINED 1015248
1	1	7	SWITCH OPERATOR, 2-BUTTON 1000098
3	3	8	CONTRACT BLOCK, W/C 1000108
1	1	9	CONTRACT BLOCK, W/O 1000107
1	1	10	BUTTON, GREEN "START", TYPE E 1000101
1	1	11	BUTTON, RED "STOP", TYPE E 1000102
1	1	12	BUTTON, BLACK "RAISE", TYPE B 1000103
1	1	13	BUTTON, BLACK "LOWER", TYPE B 1000104
1	1	14	LENS, "BLADE", AMBER, E30 SERIES 1001622
1	1	15	LENS, "HEAD #1 OFF/ON" C 1014194
1	1	16	LENS, "HEAD #2 OFF/ON" C 1014195
1	1	17	LEGEND, "WATER OFF/ON" C 1012907
1	1	18	LEGEND, "CONVEYOR AUTO/OFF/ON" C 1015250
1	1	19	TACHOMETER, RED LIGHTS BITAK V 1005638
1	1	20	BATTERY, 1.5V, N TYPE ALKALINE 1014513
1	1	21	PIVOT BAR, LH, CONTROL PANEL B 1014394
1	1	22	PIVOT BAR, RH, CONTROL PANEL B 1014395
1	1	23	PIVOT BLOCK, CONTROL PANEL A 1014165
1	1	24	SCREW 1/4-28 x 1/2 LG HEX HD 1005273
1	1	25	SCREW 1/4-28 x 1 LG HEX HD 1005376
1	1	26	SCREW 1/4-28 x 1 1/4 LG HEX HD 1005277
1	1	27	SPACER, STD DRILL, .38 OD x .563 LG C 1014174
1	1	28	PANEL, CONTROL, TDM 2-WIDE D 1015342
1	1	29	MODULE, CONTROL, W/ SKIP OPTION 1000211

ASSEMBLY NUMBER	ASSEMBLY NUMBER	ASSEMBLY NUMBER	DESCRIPTION
1015332	1015333	1015314	CONTROL PANEL ASSY



MAST 55-01/85-012
 DRAWING NUMBER 1015314

NOTE - PANEL COMPONENTS NOT SHOWN.



MANUAL COPY

NO	ITEM NO	DESCRIPTION
1	1	CONTROL BOX, 2-WIDE, BOTTOM MTS D 1015343
1	2	WELD RBSSY, CONTROL BOX MTS B 1014989
2	3	BRACE, CONTROL PANEL
4	4	SCREW, 3/8 - 24 x 1 1/4 LG HEX HD 1005278
12	5	NUT, 3/8 - 24 HEX 1005233
4	6	LOCKWASHER, 3/8 ID SPLIT 1005229
3	7	SCREW, 3/8 - 24 x 3" LG HEX HD 1006002
3	8	SCREW, 3/8 - 24 x 2" LG HEX HD 1005280
1	9	SWITCH OPERATOR, PUSH & PULL 1000487
1	10	CONTACT BLOCK, M/C 1000505
1	11	LENS, RED 1000504
5	12	CORD GRIP WASHER & O-RING, 1/2 NPT 1000536
5	13	CORD GRIP, 1/2 NPT x 3/8 1000348
2	14	CORD GRIP GROMMET, 1/8" 1000883
4	15	NUT, 3/16 - 24 HEX 1005905
1	16	SUB PANEL ASSEMBLY D 1015333
1	17	CONTROL PANEL ASSEMBLY R 1005739
1	18	GROTE LOGO PLATE 1014595
4	19	SCREW, 6-32 x 1/4 LG HEX HD 1014595
2	20	SCREW, 1/4 - 28 x 3/4 LG HEX HD 1005325
	21	

1015330

REVISED BY: _____ DATE: _____

SCALE: HALF

DATE: 3-21-86

DESIGNED BY: R.J.F.

CHECKED BY: _____

1015334

MARCH 85-011

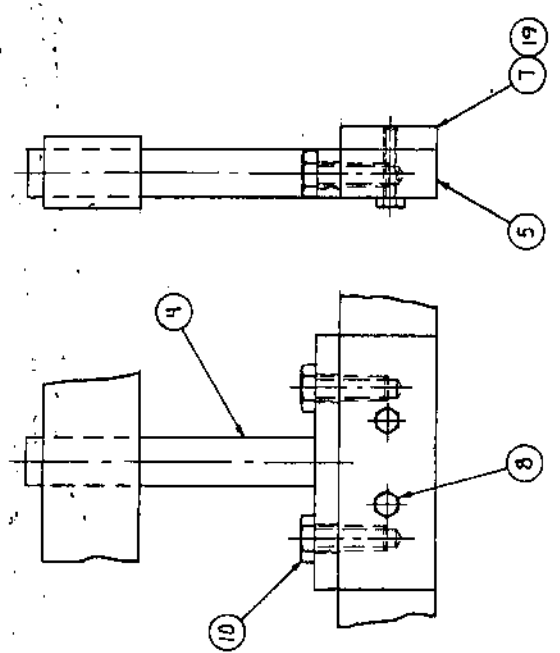
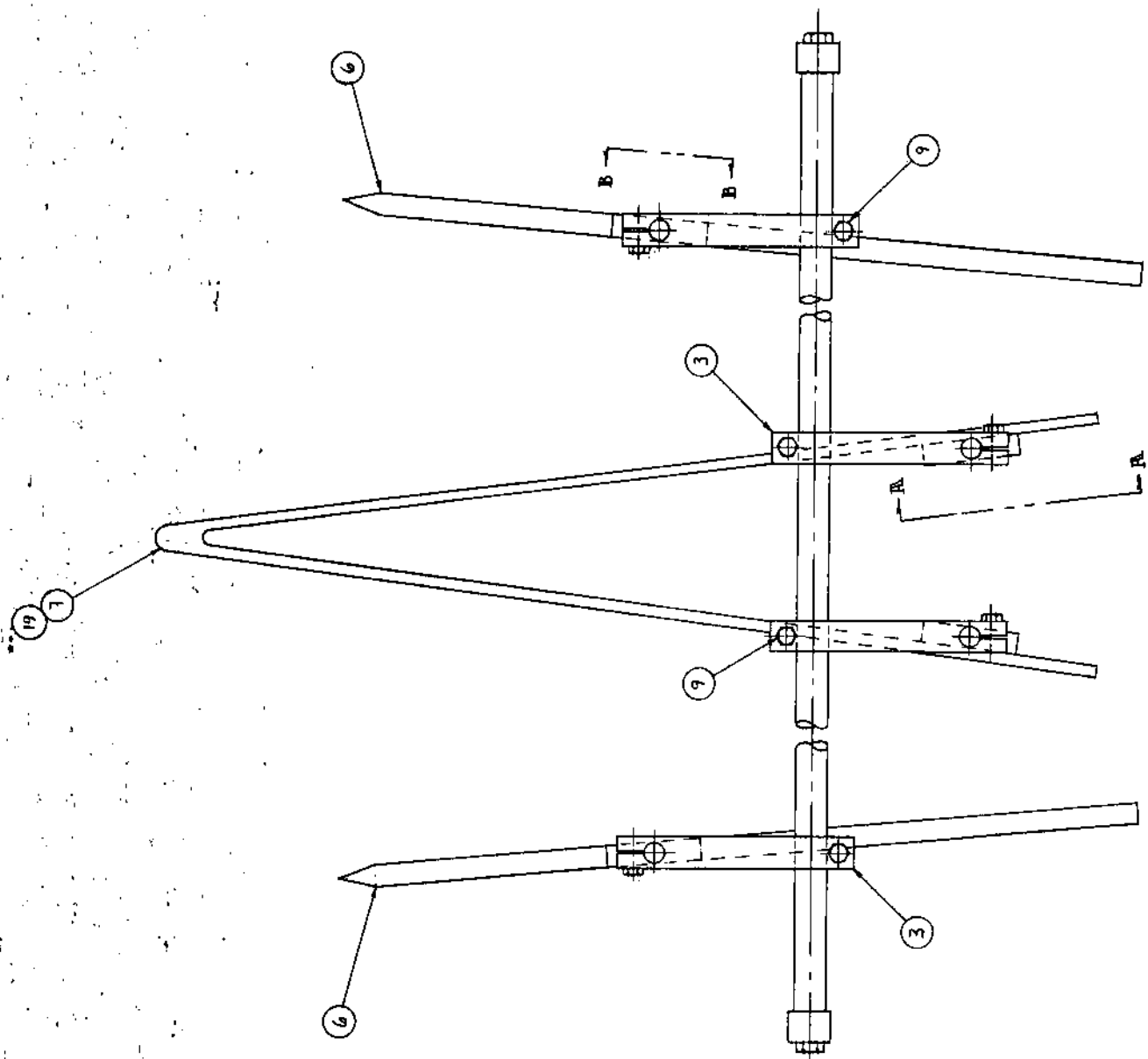
DRAWING NUMBER: 1015330

JE GROTE COMPANY, INC.

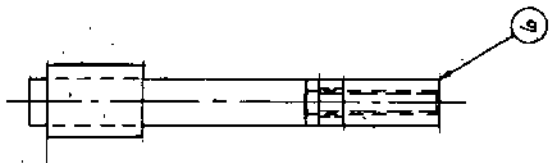
GROTE

CONTROL BOX ASSY, CENTER

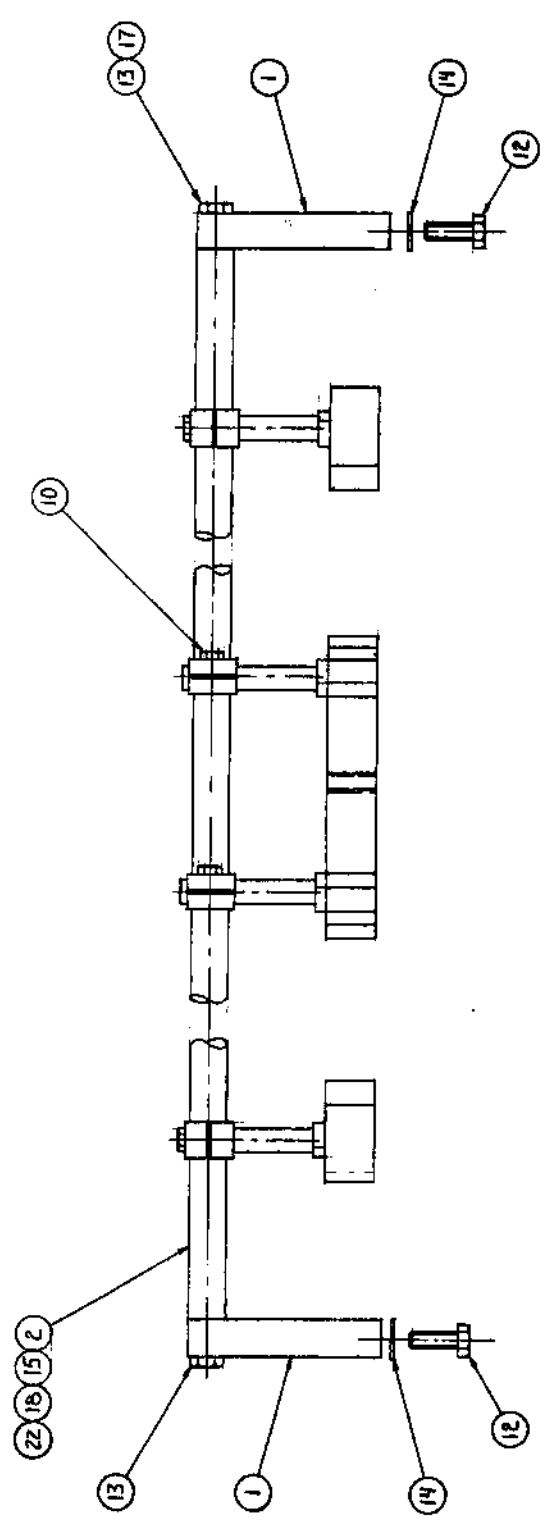
TUM 2-WIDE PEPP M/ REMOTE POWER



VIEW A-A
SCALE: FULL



VIEW B-B
SCALE: FULL

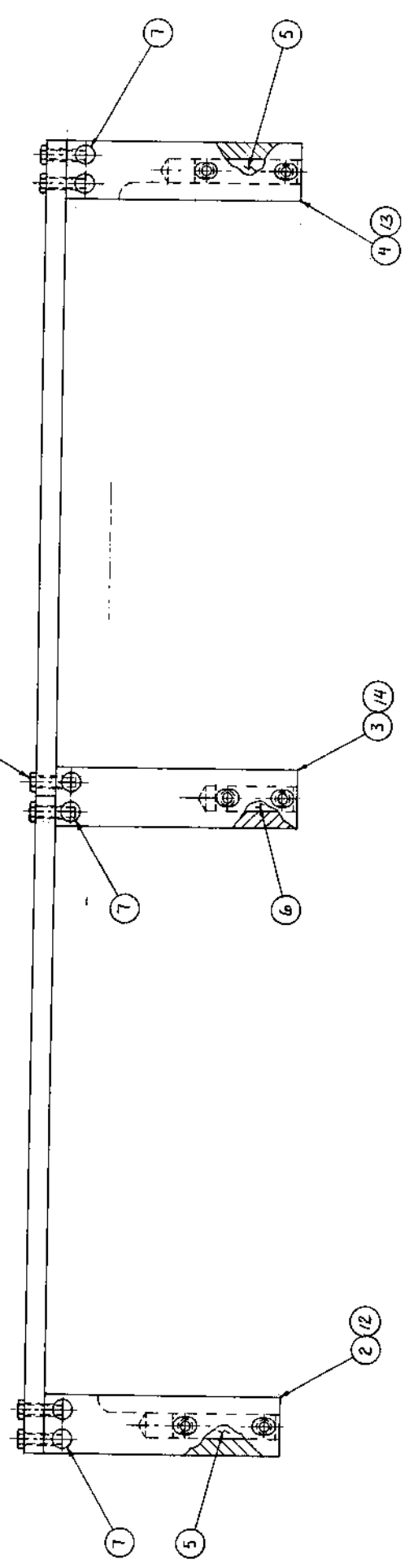
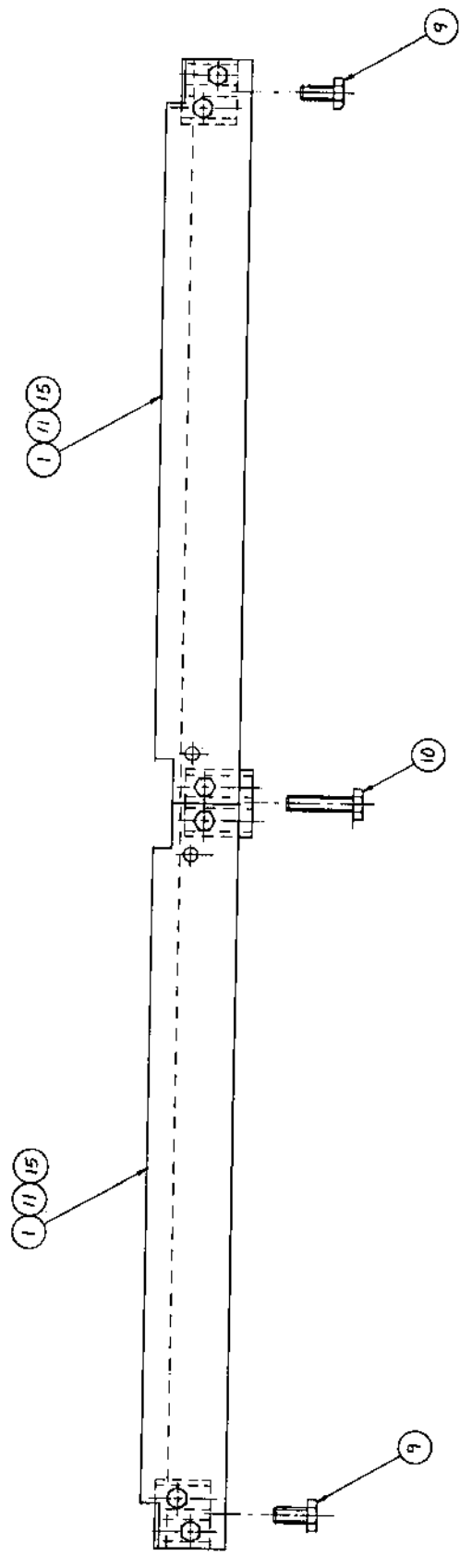


ITEM NO	QTY	DESCRIPTION	ITEM NO	QTY	DESCRIPTION
1	2	STANDOFF, SS, .75, 3/16-16, 29.25 LG	1015415	2	SUPPORT, CRUST GUIDE
2	2	STANDOFF, STD TAP, .75 DD x 32.75	1015416	2	STANDOFF, STD TAP, .75 DD x 32.75 LG C
3	2	CRUST GUIDE, CENTER	1015417	2	ARM, CRUST GUIDE
4	2	CRUST GUIDE, CENTER	1015418	2	STANDOFF ASSY, CRUST GUIDE
5	2	CRUST GUIDE, CENTER	1015419	2	MOUNT, CRUST GUIDE
6	2	CRUST GUIDE, CENTER	1015420	2	CRUST GUIDE, CENTER
7	2	CRUST GUIDE, CENTER	1015421	2	CRUST GUIDE, CENTER
8	2	CRUST GUIDE, CENTER	1015422	2	CRUST GUIDE, CENTER
9	2	CRUST GUIDE, CENTER	1015423	2	CRUST GUIDE, CENTER
10	2	CRUST GUIDE, CENTER	1015424	2	CRUST GUIDE, CENTER
11	2	CRUST GUIDE, CENTER	1015425	2	CRUST GUIDE, CENTER
12	2	CRUST GUIDE, CENTER	1015426	2	CRUST GUIDE, CENTER
13	2	CRUST GUIDE, CENTER	1015427	2	CRUST GUIDE, CENTER
14	2	CRUST GUIDE, CENTER	1015428	2	CRUST GUIDE, CENTER
15	2	CRUST GUIDE, CENTER	1015429	2	CRUST GUIDE, CENTER
16	2	CRUST GUIDE, CENTER	1015430	2	CRUST GUIDE, CENTER
17	2	CRUST GUIDE, CENTER	1015431	2	CRUST GUIDE, CENTER
18	2	CRUST GUIDE, CENTER	1015432	2	CRUST GUIDE, CENTER
19	2	CRUST GUIDE, CENTER	1015433	2	CRUST GUIDE, CENTER
20	2	CRUST GUIDE, CENTER	1015434	2	CRUST GUIDE, CENTER
21	2	CRUST GUIDE, CENTER	1015435	2	CRUST GUIDE, CENTER
22	2	CRUST GUIDE, CENTER	1015436	2	CRUST GUIDE, CENTER

MANUAL COPY

GRUOTE
 JE. GRUOTE COMPANY, INC.
 1015415

REF ASSY 1015417, 1/2 LIFT SERRATED GUIDE
 ASSY 1029829, NO LIFT SINGLE CUTBACK GUIDE
 " " 1026897, " " SERRATED GUIDE
 " " 1029845, 1/4 LIFT-CUTBACK SERRATED

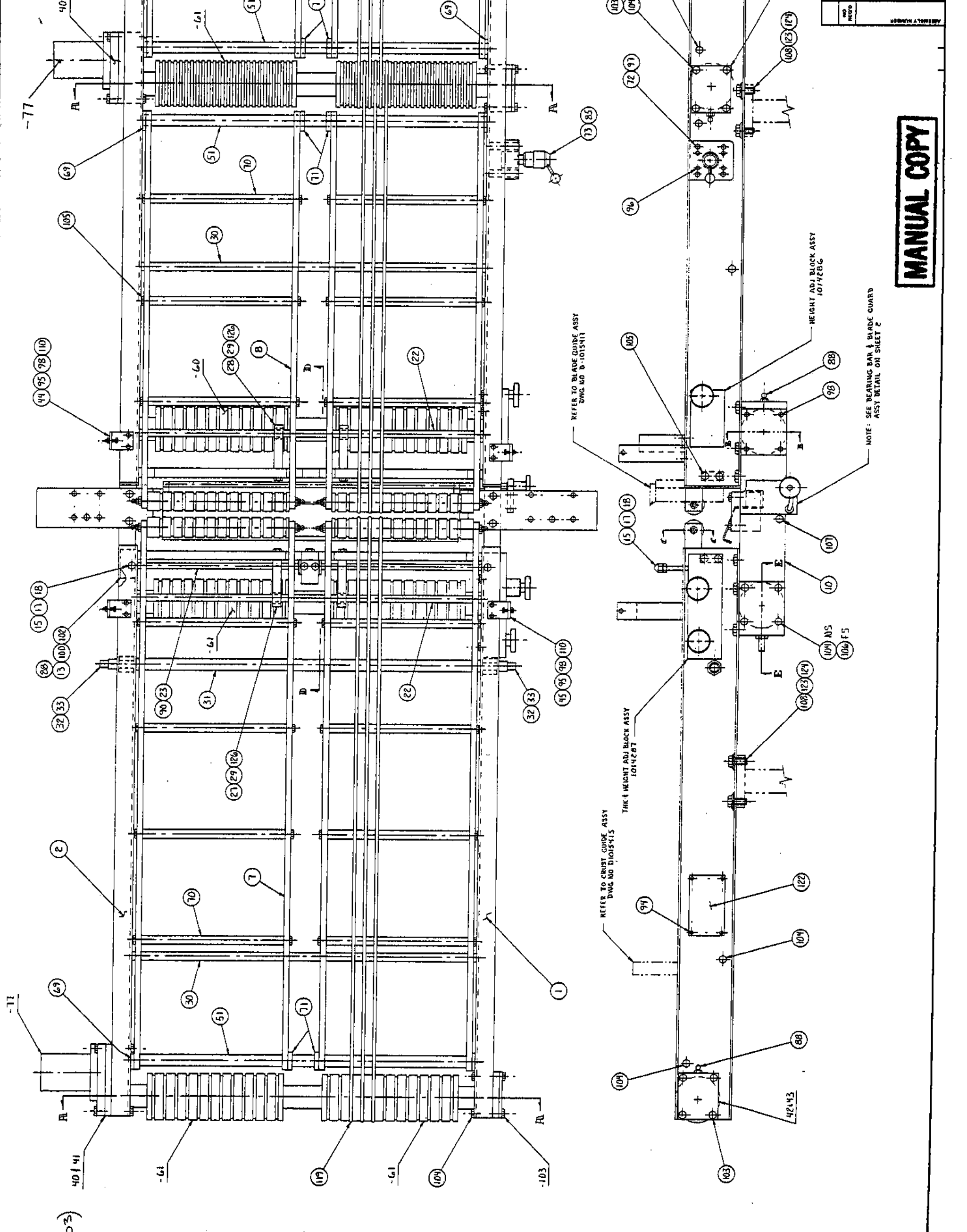


MANUAL COPY

NO.	ASSEMBLY NUMBER	REQ'D	ITEM NO.	DESCRIPTION
2	1029845	2	1	BLADE GUIDE, SERRATED B 1002501
	1026897	1	1	BLOCK, MOUNTING, CENTER C 1014491
	1029829	2	2	PIN, BLADE GUIDE MTO, CENTER A 1001200
	1015417	1	1	PIN, BLADE GUIDE MTO, CENTER A 1001200
		1	1	BLOCK, OUTSIDE MOUNTING, LH C 1014492
		1	1	BLOCK, OUTSIDE MOUNTING, RH C 1014493
		2	2	SCREW, 3/8 - 24 x 1 LG HEX HD P 1005568
		4	4	SCREW, 3/8 - 24 x 3/4 LG HEX HD P 1005337
		6	6	SCREW, 5/16 - 24 x 1 LG HEX HD P 1005568
		6	6	PIN, BLADE GUIDE ADJUSTMENT A 1001213
		2	2	BLADE GUIDE CUTBACK C 1026713
		2	2	BLOCK, OUTSIDE MOUNTING RH C 1008021
		1	1	BLOCK, OUTSIDE MOUNTING LH C 1003771
		1	1	BLOCK, MOUNTING CENTER B 1002503
		2	2	BLADE GUIDE, CUTBACK SERRATED C 1029061
18				
17				
16				

TITLE: BLADE GUIDE ASSY, 2-WIDE PEPP
 SCALE: HALF
 DATE: 3-19-86
 DRAWN BY: R J F
 CHECKED BY: [Signature]
 PREPARED BY: [Signature]
GROTE
 JE GROTE COMPANY, INC.
 DRAWING NUMBER: 1015417

REVISION RECORD
 DATE BY
 ALL REVISED PARTS TO SHOW
 CUSTOMER MODIFICATIONS
 MOVED MOTOR FROM RIGHT TO LEFT



REFER TO BLADE GUIDE ASSY
 DWG NO B-1015111

REFER TO CRIST GUIDE ASSY
 DWG NO D1015115

THK & HEIGHT ADJ BLOCK ASSY
 1014287

HEIGHT ADJ BLOCK ASSY
 1014286

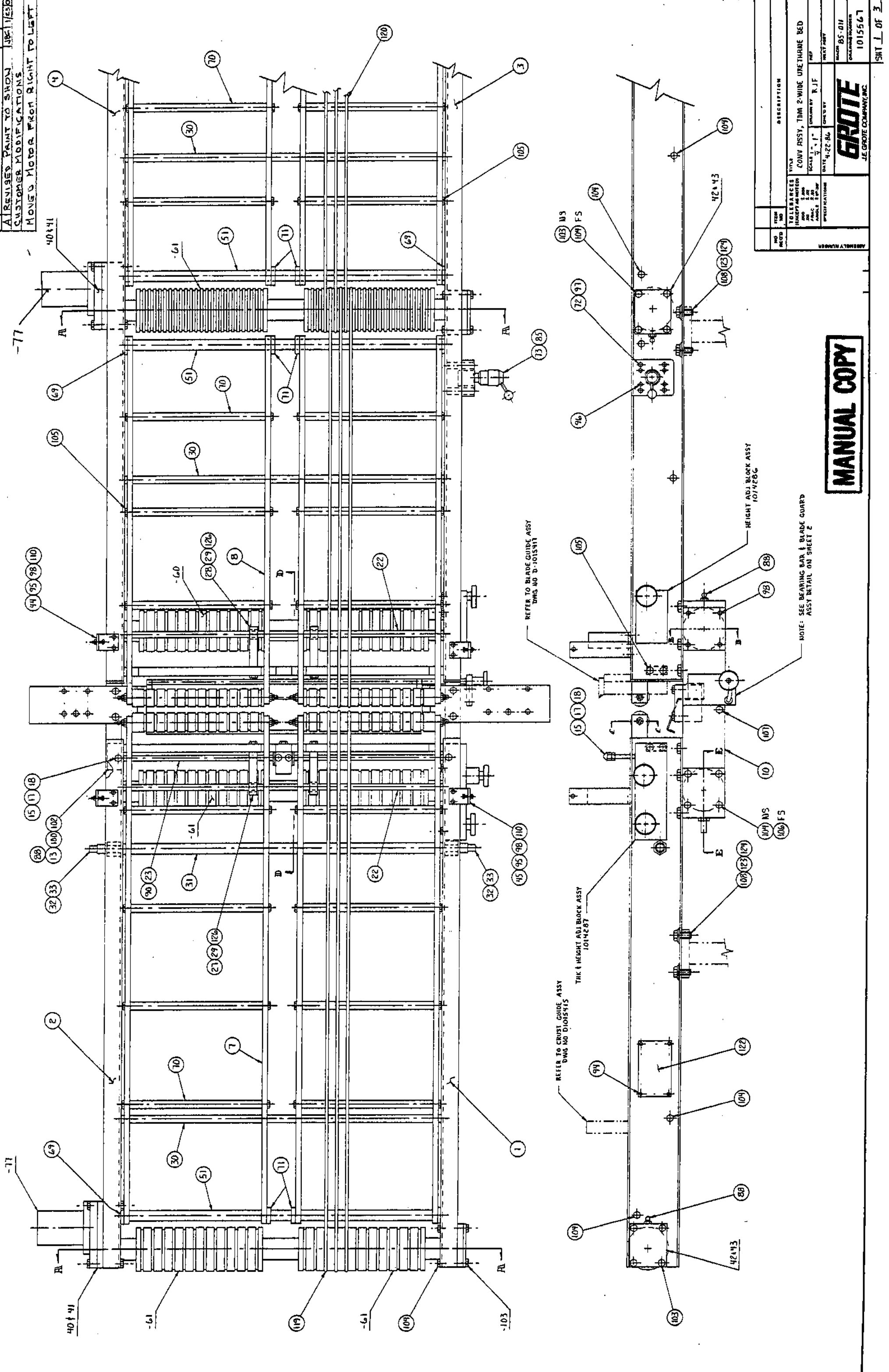
NOTE: SEE BEARING BAR & BLADE GUARD
 ASSY DETAIL ON SHEET 2

NO	REV	DESCRIPTION
1		ISSUED FOR MANUFACTURE
2		ISSUED FOR MANUFACTURE
3		ISSUED FOR MANUFACTURE
4		ISSUED FOR MANUFACTURE
5		ISSUED FOR MANUFACTURE
6		ISSUED FOR MANUFACTURE
7		ISSUED FOR MANUFACTURE
8		ISSUED FOR MANUFACTURE
9		ISSUED FOR MANUFACTURE
10		ISSUED FOR MANUFACTURE
11		ISSUED FOR MANUFACTURE
12		ISSUED FOR MANUFACTURE
13		ISSUED FOR MANUFACTURE
14		ISSUED FOR MANUFACTURE
15		ISSUED FOR MANUFACTURE
16		ISSUED FOR MANUFACTURE
17		ISSUED FOR MANUFACTURE
18		ISSUED FOR MANUFACTURE
19		ISSUED FOR MANUFACTURE
20		ISSUED FOR MANUFACTURE
21		ISSUED FOR MANUFACTURE
22		ISSUED FOR MANUFACTURE
23		ISSUED FOR MANUFACTURE
24		ISSUED FOR MANUFACTURE
25		ISSUED FOR MANUFACTURE
26		ISSUED FOR MANUFACTURE
27		ISSUED FOR MANUFACTURE
28		ISSUED FOR MANUFACTURE
29		ISSUED FOR MANUFACTURE
30		ISSUED FOR MANUFACTURE
31		ISSUED FOR MANUFACTURE
32		ISSUED FOR MANUFACTURE
33		ISSUED FOR MANUFACTURE
34		ISSUED FOR MANUFACTURE
35		ISSUED FOR MANUFACTURE
36		ISSUED FOR MANUFACTURE
37		ISSUED FOR MANUFACTURE
38		ISSUED FOR MANUFACTURE
39		ISSUED FOR MANUFACTURE
40		ISSUED FOR MANUFACTURE
41		ISSUED FOR MANUFACTURE
42		ISSUED FOR MANUFACTURE
43		ISSUED FOR MANUFACTURE
44		ISSUED FOR MANUFACTURE
45		ISSUED FOR MANUFACTURE
46		ISSUED FOR MANUFACTURE
47		ISSUED FOR MANUFACTURE
48		ISSUED FOR MANUFACTURE
49		ISSUED FOR MANUFACTURE
50		ISSUED FOR MANUFACTURE
51		ISSUED FOR MANUFACTURE
52		ISSUED FOR MANUFACTURE
53		ISSUED FOR MANUFACTURE
54		ISSUED FOR MANUFACTURE
55		ISSUED FOR MANUFACTURE
56		ISSUED FOR MANUFACTURE
57		ISSUED FOR MANUFACTURE
58		ISSUED FOR MANUFACTURE
59		ISSUED FOR MANUFACTURE
60		ISSUED FOR MANUFACTURE
61		ISSUED FOR MANUFACTURE
62		ISSUED FOR MANUFACTURE
63		ISSUED FOR MANUFACTURE
64		ISSUED FOR MANUFACTURE
65		ISSUED FOR MANUFACTURE
66		ISSUED FOR MANUFACTURE
67		ISSUED FOR MANUFACTURE
68		ISSUED FOR MANUFACTURE
69		ISSUED FOR MANUFACTURE
70		ISSUED FOR MANUFACTURE
71		ISSUED FOR MANUFACTURE
72		ISSUED FOR MANUFACTURE
73		ISSUED FOR MANUFACTURE
74		ISSUED FOR MANUFACTURE
75		ISSUED FOR MANUFACTURE
76		ISSUED FOR MANUFACTURE
77		ISSUED FOR MANUFACTURE
78		ISSUED FOR MANUFACTURE
79		ISSUED FOR MANUFACTURE
80		ISSUED FOR MANUFACTURE
81		ISSUED FOR MANUFACTURE
82		ISSUED FOR MANUFACTURE
83		ISSUED FOR MANUFACTURE
84		ISSUED FOR MANUFACTURE
85		ISSUED FOR MANUFACTURE
86		ISSUED FOR MANUFACTURE
87		ISSUED FOR MANUFACTURE
88		ISSUED FOR MANUFACTURE
89		ISSUED FOR MANUFACTURE
90		ISSUED FOR MANUFACTURE
91		ISSUED FOR MANUFACTURE
92		ISSUED FOR MANUFACTURE
93		ISSUED FOR MANUFACTURE
94		ISSUED FOR MANUFACTURE
95		ISSUED FOR MANUFACTURE
96		ISSUED FOR MANUFACTURE
97		ISSUED FOR MANUFACTURE
98		ISSUED FOR MANUFACTURE
99		ISSUED FOR MANUFACTURE
100		ISSUED FOR MANUFACTURE
101		ISSUED FOR MANUFACTURE
102		ISSUED FOR MANUFACTURE
103		ISSUED FOR MANUFACTURE
104		ISSUED FOR MANUFACTURE
105		ISSUED FOR MANUFACTURE
106		ISSUED FOR MANUFACTURE
107		ISSUED FOR MANUFACTURE
108		ISSUED FOR MANUFACTURE
109		ISSUED FOR MANUFACTURE
110		ISSUED FOR MANUFACTURE
111		ISSUED FOR MANUFACTURE
112		ISSUED FOR MANUFACTURE
113		ISSUED FOR MANUFACTURE
114		ISSUED FOR MANUFACTURE
115		ISSUED FOR MANUFACTURE
116		ISSUED FOR MANUFACTURE
117		ISSUED FOR MANUFACTURE
118		ISSUED FOR MANUFACTURE
119		ISSUED FOR MANUFACTURE
120		ISSUED FOR MANUFACTURE

MANUAL COPY

TITLE: CONV ASSY, TDM 2-WIDE URETHANE BED
 SCALE: 1" = 1"
 DATE: 9-22-86
 DRAWN BY: R JF
 CHECKED BY: [blank]
 PART NO: 1015567
 MANUFACTURER: GROTTE
 J.E. GROTTE COMPANY, INC.
 SHEET 1 OF 3

REVISION RECORD
 BY DATE
 1/15/80
 ALL REVISED PARTS TO SHOW
 CUSTOMER MODIFICATIONS
 MOVED MOTOR FROM RIGHT TO LEFT



MANUAL COPY

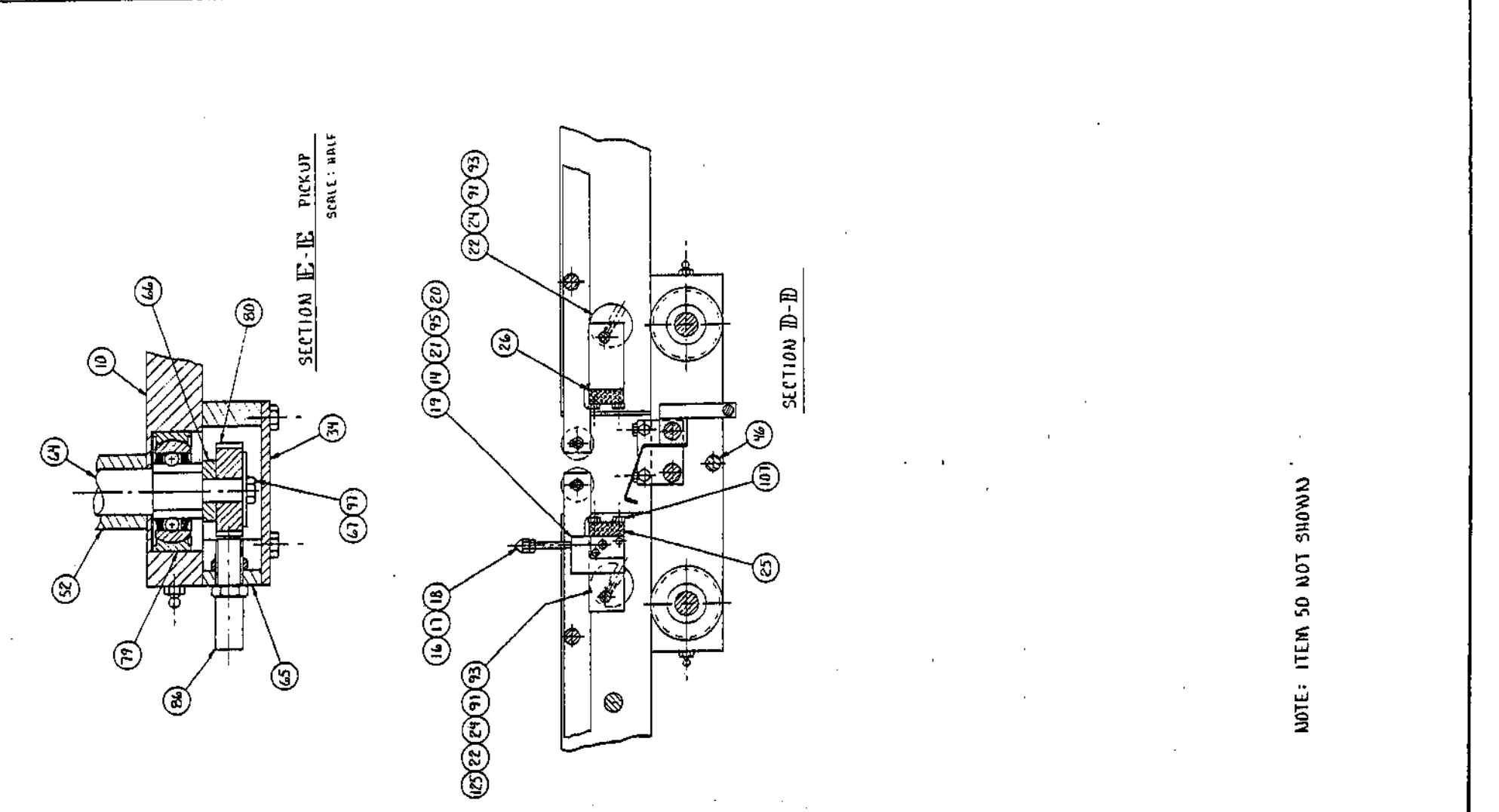
REVISION RECORD		DESCRIPTION	
NO	DATE	BY	DESCRIPTION
1	1/15/80	R.J.F.	REVISED DRAWING TO SHOW CUSTOMER MODIFICATIONS

TITLE	CONV ASSY, TDM 2-WIDE URETHANE BED
SCALE	1" = 1"
DATE	4-22-86
DESIGNED BY	R.J.F.
CHECKED BY	
APPROVED BY	
DRAWING NUMBER	1015567
MANUFACTURER	JE GROTE COMPANY, INC.

NO	REV	DATE

NO	REV	DATE	DESCRIPTION

NO	REV	DATE	DESCRIPTION	ASSEMBLY NUMBER	NO	REV	DATE	DESCRIPTION	ASSEMBLY NUMBER
10			92 SCREW, CUPPOINT SET, 3/16-18 x 1/2	P 1005887					
24			91 KEY, WOODRUFF, NO 403	P 1006398					
6			90 KEY, WOODRUFF, NO 403	P 1010457					
14			89 KEY, STD SQUARE, 3/4 x 3/4 LG	A 1008415					
14			88 GREASE FITTING, 3/8-28, STR SHORT	P 1000513					
14			87 GREASE FITTING, 3/8-28, 90°	P 1006147					
1			86 SENSOR, MAGNETIC PICKUP, 1200.0	P 1014534					
1			85 VALVE, HYD FLOW CONTROL	P 1011920					
16			84 INNER RING, BEARING, 3/4 ID	P 1008304					
16			83 BEARING, ROLLER, 1" ID	P 1008303					
3			82 GEAR, SPUR, 16 DP, 38 T, 14.5 PA	P 1000263					
3			81 GEAR, CHANGE, 16 DP, 38 T, 14.5 PA	P 1000035					
1			80 GEAR, CHANGE, 20 DP, 65 T, 14.5 PA	P 1015055					
14			79 BEARING, BALL, SCL ROW 1" ID	P 1000034					
2			78 SPRING, COMPRESSION	P 1000778					
3			77 MOTOR, HYD, 4.3 CU IN, 2 BOLT	P 1000023					
2			76 STANDOFF, STD TAP, .5000 x 3.50	C 1014586					
2			75 STANDOFF, STD TAP, .5000 x 26.812	C 1015686					
2			74 WASHER, DELRIM THRUST, .7500	A 1002101					
1			73 MOUNTING PLATE, FLOW CONTROL VALVE	C 1014036					
4			72 STANDOFF, BURL TAP, .50 x 2.88	B 1014035					
8			71 COLLAR, SET SCREW, 1" ID, 1/2 OD	A 1014504					
22			70 STANDOFF, STD TAP, .7500 x 12.631	C 1014502					
8			69 WASHER, DELRIM THRUST, 1.5000	B 1014500					
16			68 SCREW, GREASE FITTING	A 1012003					
1			67 WASHER, STD DRILLED	A 1009915					
1			66 SPACER, STD DRILL, 1/2 OD, -.63 ID	C 1015054					
1			65 HOUSING, PICK UP MOUNT	C 1015053					
1			64 IDLE RPM PICK UP SHAFT	B 1015052					
3			63 IDLE SHAFT	B 1012128					
3			62 DRIVE SHAFT	B 1008019					
2			61 DRIVE ROLLER WELDMENT, CENTER	C 1012125					
12			60 DRIVE ROLLER WELDMENT	C 1012121					
2			59 IDLE ROLLER	C 1008324					
6			58 IDLE ROLLER	C 1008323					
10			57 COLLAR, 2.2500 x 1.25 ID - 5/16-18	A 1012882					
2			56 SPACER, OUTSIDE IDLE, 1.190 LG	A 1008090					
2			55 SPACER, OUTSIDE CENTER, 1.085 LG	A 1008330					
2			54 SPACER, CENTER TOP 3.431 LG	A 1008091					
4			53 SPACER, OUTSIDE DRIVE 1.585 LG	A 1008089					
6			52 SPACER, OUTSIDE IDLE 1.110 LG	A 1014459					
4			51 SHAFT, TRANSFER IDLE	A 1008088					
4			50 SCREW, 1.025 LG SHOULDER	A 1001032					
6			49 WASHER, BRG TENSION	A 1001334					
16			48 SPACER, IDLE ROLLER	A 1008326					
8			47 SHAFT, IDLE ROLLER	B 1012065					
2			46 COUPLING TIE	A 1001956					
4			45 BRACKET, SIDE COVER, 5.75 H	B 1014614					
4			44 BRACKET, SIDE COVER, 3.75 H	B 1002963					



NOTE: ITEM 50 NOT SHOWN

MANUAL COPY

JE GROTE COMPANY, INC.
 1015567