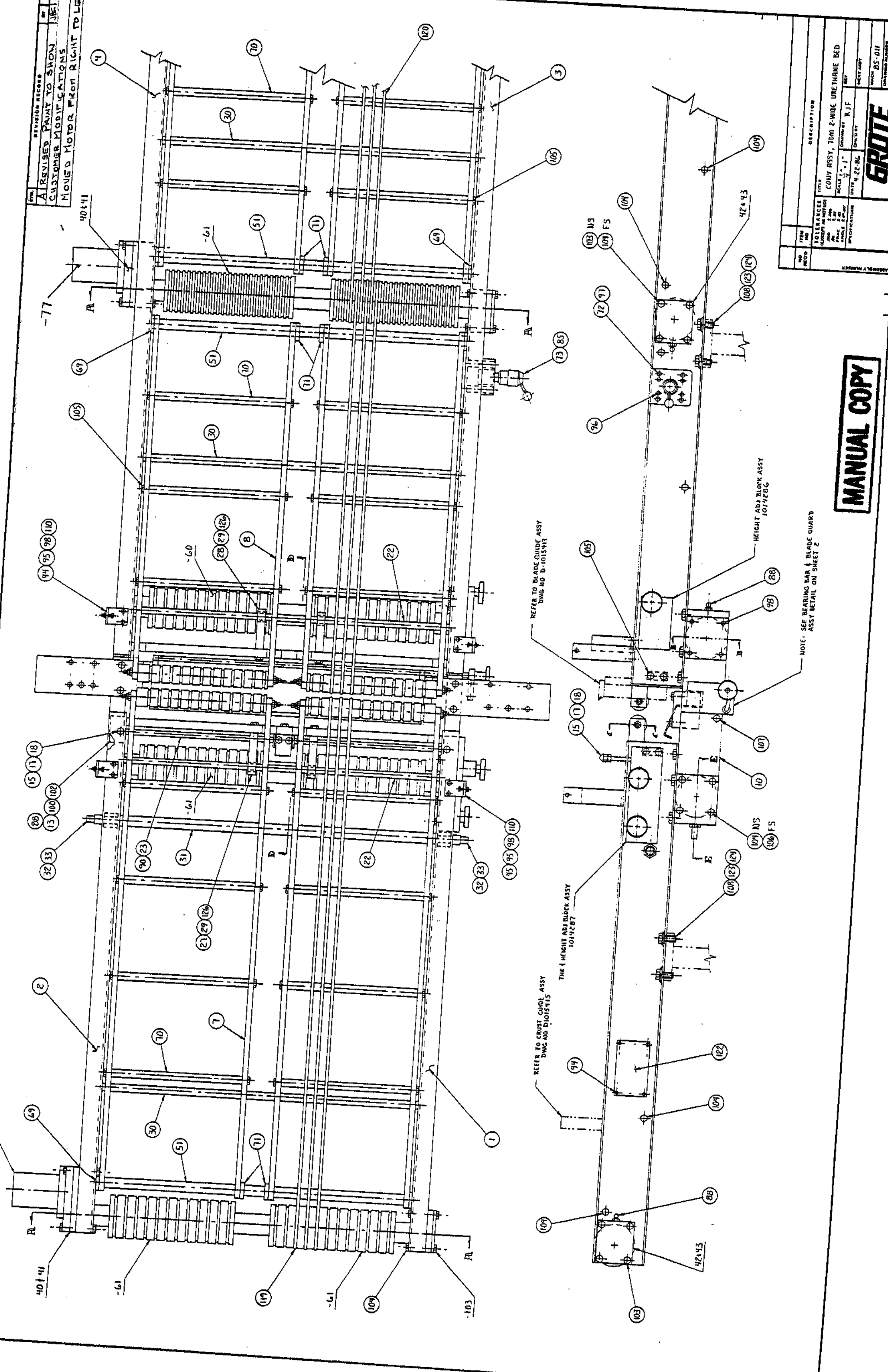


REVISION RECORD  
 A REVISED PRINT TO SHOW  
 CUSTOMER MODIFICATIONS  
 MOVED MOTOR FROM RIGHT TO LEFT

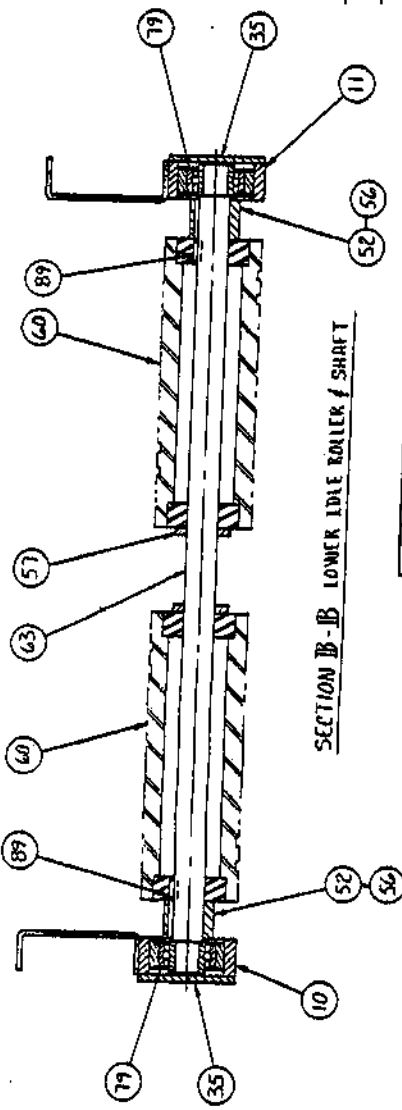
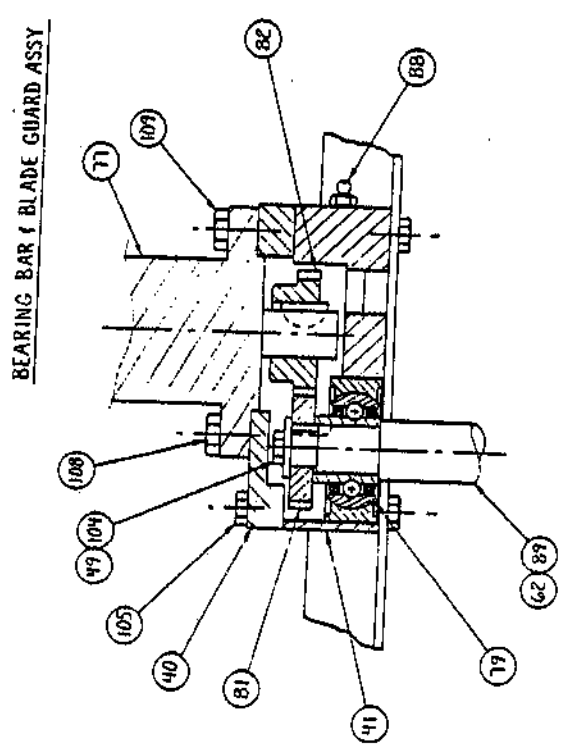
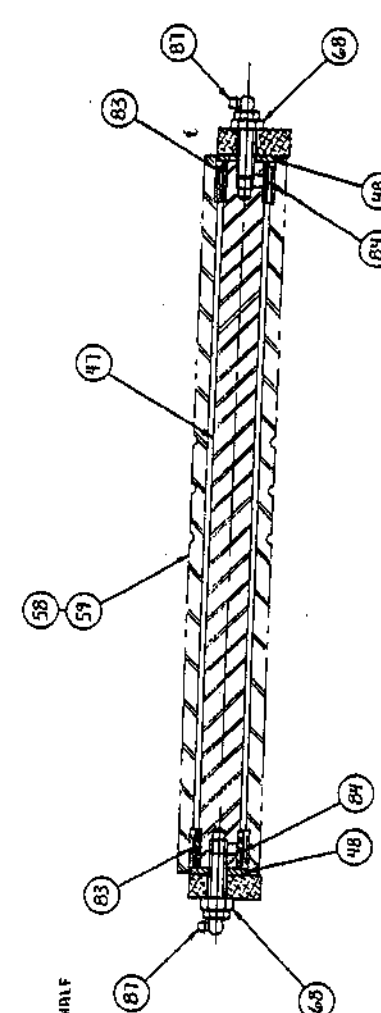
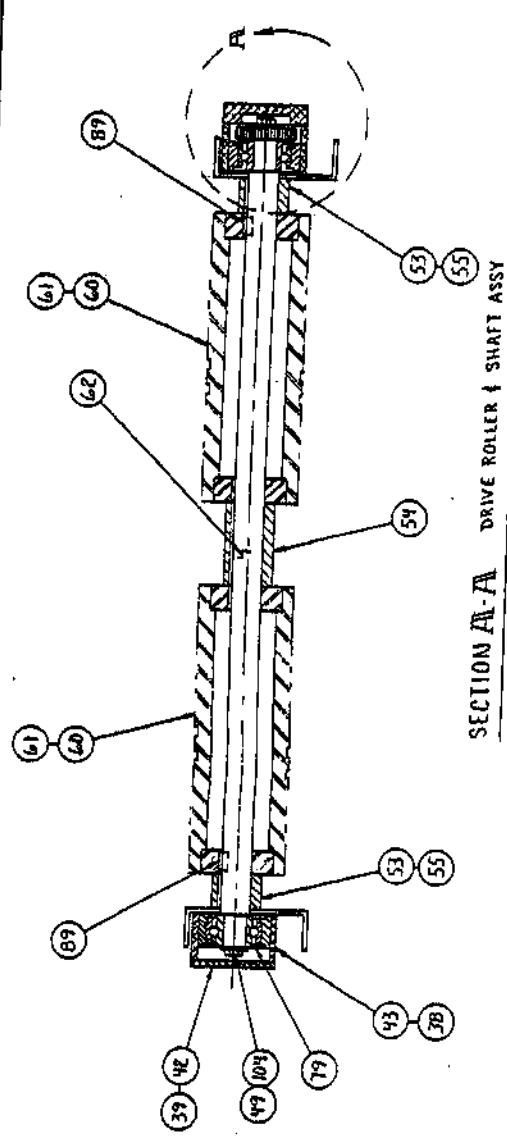
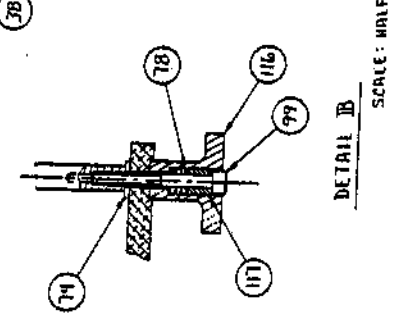
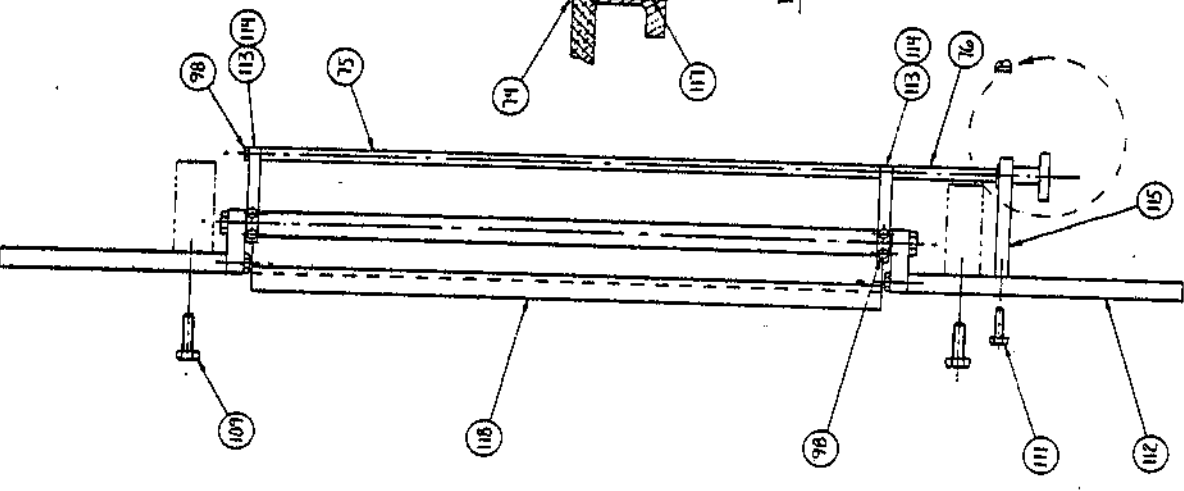
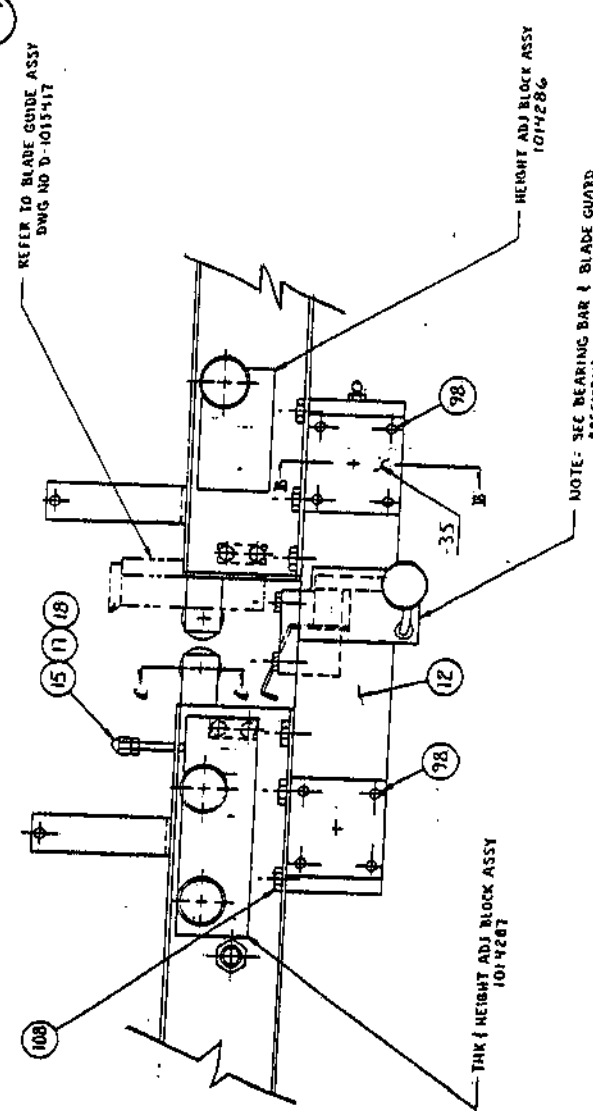
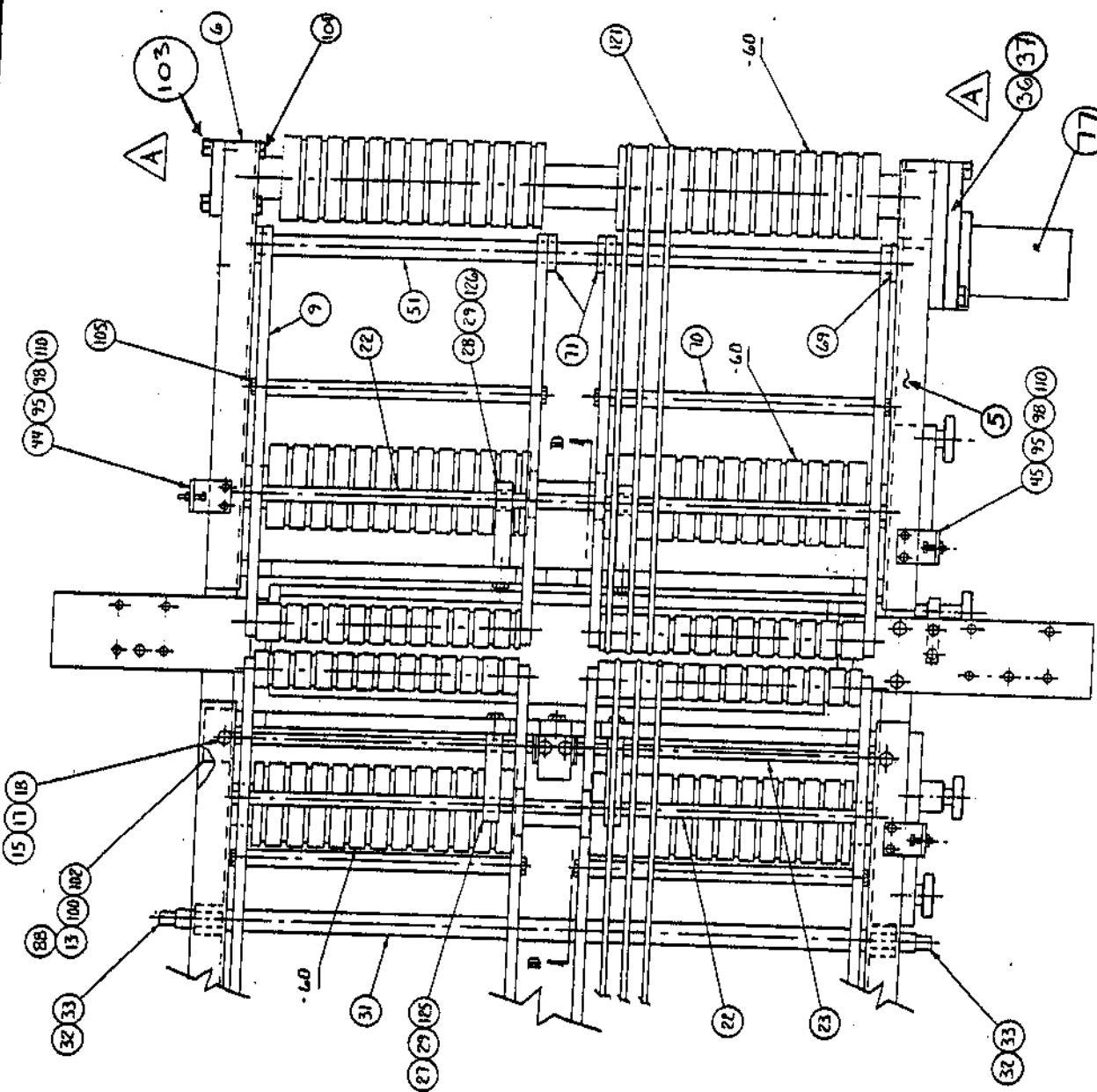


NO	REV	DESCRIPTION
1		CONV ASSY, TDM 2-WIDE URETHANE BED
2		SCALE 1" = 1'
3		DATE 4-22-86
4		DESIGNED BY R. J. F.
5		CHECKED BY
6		DRAWING NUMBER
7		SHEET NUMBER
8		PROJECT NUMBER
9		DATE
10		BY
11		DATE
12		BY
13		DATE
14		BY
15		DATE
16		BY
17		DATE
18		BY
19		DATE
20		BY

**MANUAL COPY**

**GROTE**  
 JF GROTE COMPANY, INC.  
 11111 N. 111th St.  
 Omaha, NE 68148  
 TEL: 402-426-1111  
 FAX: 402-426-1112

REVISION RECORD  
 A SEE SHEET 1 FOR REFS



DETAIL A MOTOR INSTALLATION  
 SCALE: HALF

NO	REV	DESCRIPTION
1		ISSUED FOR MANUFACTURE
2		REVISION
3		REVISION
4		REVISION
5		REVISION
6		REVISION
7		REVISION
8		REVISION
9		REVISION
10		REVISION
11		REVISION
12		REVISION
13		REVISION
14		REVISION
15		REVISION
16		REVISION
17		REVISION
18		REVISION
19		REVISION
20		REVISION
21		REVISION
22		REVISION
23		REVISION
24		REVISION
25		REVISION
26		REVISION
27		REVISION
28		REVISION
29		REVISION
30		REVISION
31		REVISION
32		REVISION
33		REVISION
34		REVISION
35		REVISION
36		REVISION
37		REVISION
38		REVISION
39		REVISION
40		REVISION
41		REVISION
42		REVISION
43		REVISION
44		REVISION
45		REVISION
46		REVISION
47		REVISION
48		REVISION
49		REVISION
50		REVISION
51		REVISION
52		REVISION
53		REVISION
54		REVISION
55		REVISION
56		REVISION
57		REVISION
58		REVISION
59		REVISION
60		REVISION
61		REVISION
62		REVISION
63		REVISION
64		REVISION
65		REVISION
66		REVISION
67		REVISION
68		REVISION
69		REVISION
70		REVISION
71		REVISION
72		REVISION
73		REVISION
74		REVISION
75		REVISION
76		REVISION
77		REVISION
78		REVISION
79		REVISION
80		REVISION
81		REVISION
82		REVISION
83		REVISION
84		REVISION
85		REVISION
86		REVISION
87		REVISION
88		REVISION
89		REVISION
90		REVISION
91		REVISION
92		REVISION
93		REVISION
94		REVISION
95		REVISION
96		REVISION
97		REVISION
98		REVISION
99		REVISION
100		REVISION

MANUAL COPY

SCALE: HALF

JE GROTE COMPANY, INC.  
 1015567

