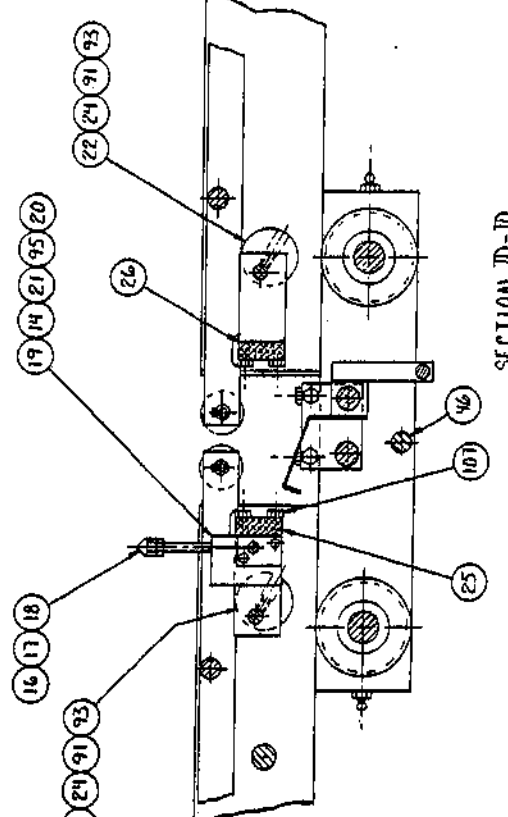
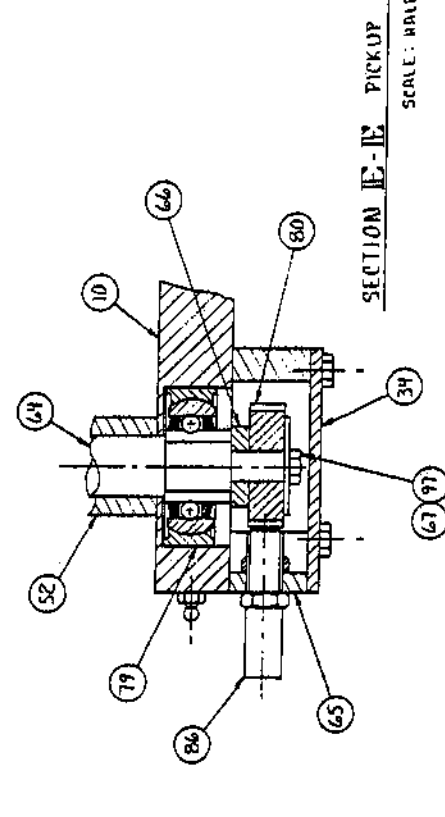


ITEM NO	DESCRIPTION	ASSEMBLY NUMBER	ITEM NO	DESCRIPTION	ASSEMBLY NUMBER
10	92 SCREW, CUPPOINT SET, 3/16-18 x 1/2	P 1005887	10	92 SCREW, CUPPOINT SET, 3/16-18 x 1/2	P 1005887
24	91 KEY, WOODRUFF, NO 405	P 1006398	24	91 KEY, WOODRUFF, NO 405	P 1006398
6	90 KEY, WOODRUFF, NO 403	P 1010457	6	90 KEY, WOODRUFF, NO 403	P 1010457
14	89 KEY, STD SQUARE, 1/4 x 3/4 LG	A 1008415	14	89 KEY, STD SQUARE, 1/4 x 3/4 LG	A 1008415
14	88 GREASE FITTING, 1/4-28, STR SHORT	P 1000513	14	88 GREASE FITTING, 1/4-28, STR SHORT	P 1000513
16	87 GREASE FITTING, 1/4-28, 90°	P 1006147	16	87 GREASE FITTING, 1/4-28, 90°	P 1006147
1	86 SENSOR, MAGNETIC PICKUP, 1200 Ω	P 1014534	1	86 SENSOR, MAGNETIC PICKUP, 1200 Ω	P 1014534
1	85 VALVE, HYD FLOW CONTROL	P 1011920	1	85 VALVE, HYD FLOW CONTROL	P 1011920
16	84 INNER RING, BEARING, 3/4 ID	P 1008304	16	84 INNER RING, BEARING, 3/4 ID	P 1008304
16	83 BEARING, ROLLER, 1" ID	P 1008303	16	83 BEARING, ROLLER, 1" ID	P 1008303
3	82 GEAR, SPUR, 16 DP, 38 T, 14.5 PA	P 1000263	3	82 GEAR, SPUR, 16 DP, 38 T, 14.5 PA	P 1000263
3	81 GEAR, CHANGE, 16 DP, 38 T, 14.5 PA	P 1000035	3	81 GEAR, CHANGE, 16 DP, 38 T, 14.5 PA	P 1000035
1	80 GEAR, CHANGE, 20 DP, 65 T, 14.5 PA	P 1015055	1	80 GEAR, CHANGE, 20 DP, 65 T, 14.5 PA	P 1015055
14	79 BEARING, BALL, SCL ROW 1" ID	P 1000034	14	79 BEARING, BALL, SCL ROW 1" ID	P 1000034
2	78 SPRING, COMPRESSION	P 1000778	2	78 SPRING, COMPRESSION	P 1000778
3	77 MOTOR, HYD, 4.3 CU IN, 2 BOLT	P 1000023	3	77 MOTOR, HYD, 4.3 CU IN, 2 BOLT	P 1000023
2	76 STANDOFF, STD TAP, .5000 x 3.50	C 1014586	2	76 STANDOFF, STD TAP, .5000 x 3.50	C 1014586
2	75 STANDOFF, STD TAP, .5000 x 26.812	C 1015686	2	75 STANDOFF, STD TAP, .5000 x 26.812	C 1015686
2	74 WASHER, DELRIN THRUST, .75 OD	A 1002101	2	74 WASHER, DELRIN THRUST, .75 OD	A 1002101
1	73 MOUNTING PLATE, FLOW CONTROL VALVE	C 1014036	1	73 MOUNTING PLATE, FLOW CONTROL VALVE	C 1014036
4	72 STAND OFF, DUAL TAP, .50 x 2.88	B 1014035	4	72 STAND OFF, DUAL TAP, .50 x 2.88	B 1014035
8	71 COLLAR, SET SCREW, 1" ID, 1 1/2 OD	A 1014504	8	71 COLLAR, SET SCREW, 1" ID, 1 1/2 OD	A 1014504
22	70 STANDOFF, STD TAP, .7500 x 12.631	C 1014502	22	70 STANDOFF, STD TAP, .7500 x 12.631	C 1014502
8	69 WASHER, DELRIN THRUST, 1.50 OD	B 1014500	8	69 WASHER, DELRIN THRUST, 1.50 OD	B 1014500
16	68 SCREW, GREASE FITTING	A 1012003	16	68 SCREW, GREASE FITTING	A 1012003
1	67 WASHER, STD DRILLED,	A 1009945	1	67 WASHER, STD DRILLED,	A 1009945
1	66 SPACER, STD DRILL, 1 1/2 OD, .43 ID	C 1015054	1	66 SPACER, STD DRILL, 1 1/2 OD, .43 ID	C 1015054
1	65 HOUSING, PICK UP MOUNT	C 1015053	1	65 HOUSING, PICK UP MOUNT	C 1015053
1	64 IDE 1 RPM PICK UP SHAFT	B 1015052	1	64 IDE 1 RPM PICK UP SHAFT	B 1015052
3	63 IDE SHAFT	B 1012128	3	63 IDE SHAFT	B 1012128
3	62 DRIVE SHAFT	B 1008019	3	62 DRIVE SHAFT	B 1008019
2	61 DRIVE ROLLER WELDMENT, CENTER	C 1012125	2	61 DRIVE ROLLER WELDMENT, CENTER	C 1012125
12	60 DRIVE ROLLER WELDMENT	C 1012121	12	60 DRIVE ROLLER WELDMENT	C 1012121
2	59 IDE ROLLER	C 1008324	2	59 IDE ROLLER	C 1008324
6	58 IDE ROLLER	C 1008323	6	58 IDE ROLLER	C 1008323
10	57 COLLAR, 2.2500 x 1.25 ID x 3/16-18	A 1012882	10	57 COLLAR, 2.2500 x 1.25 ID x 3/16-18	A 1012882
2	56 SPACER, OUTSIDE IDLE, 1.190 LG	A 1008090	2	56 SPACER, OUTSIDE IDLE, 1.190 LG	A 1008090
2	55 SPACER, OUTSIDE CENTER, 1.085 LG	A 1008330	2	55 SPACER, OUTSIDE CENTER, 1.085 LG	A 1008330
2	54 SPACER, CENTER TOP 3.43 LG	A 1008091	2	54 SPACER, CENTER TOP 3.43 LG	A 1008091
4	53 SPACER, OUTSIDE DRIVE 1.585 LG	A 1008089	4	53 SPACER, OUTSIDE DRIVE 1.585 LG	A 1008089
6	52 SPACER, OUTSIDE IDLE 1.710 LG	A 1014457	6	52 SPACER, OUTSIDE IDLE 1.710 LG	A 1014457
4	51 SHAFT, TRANSFER IDLE	A 1008088	4	51 SHAFT, TRANSFER IDLE	A 1008088
4	50 SCREW, 1.025 LG SHOULDER	A 1001032	4	50 SCREW, 1.025 LG SHOULDER	A 1001032
6	49 WASHER, BRG TENSION	A 1001334	6	49 WASHER, BRG TENSION	A 1001334
16	48 SPACER, IDLE ROLLER	A 1008326	16	48 SPACER, IDLE ROLLER	A 1008326
8	47 SHAFT, IDLE ROLLER	B 1012065	8	47 SHAFT, IDLE ROLLER	B 1012065
2	46 COUPLING, TIE	A 1007956	2	46 COUPLING, TIE	A 1007956
4	45 BRACKET, SIDE COVER, 5.75 H	B 1014614	4	45 BRACKET, SIDE COVER, 5.75 H	B 1014614
4	44 BRACKET, SIDE COVER, 3.75 H	B 1002963	4	44 BRACKET, SIDE COVER, 3.75 H	B 1002963

**MANUAL COPY**



NOTE: ITEM 50 NOT SHOWN