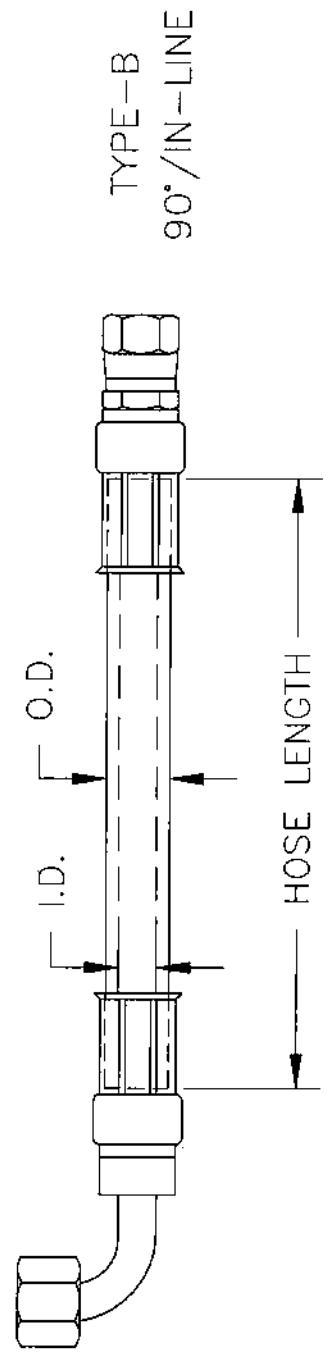
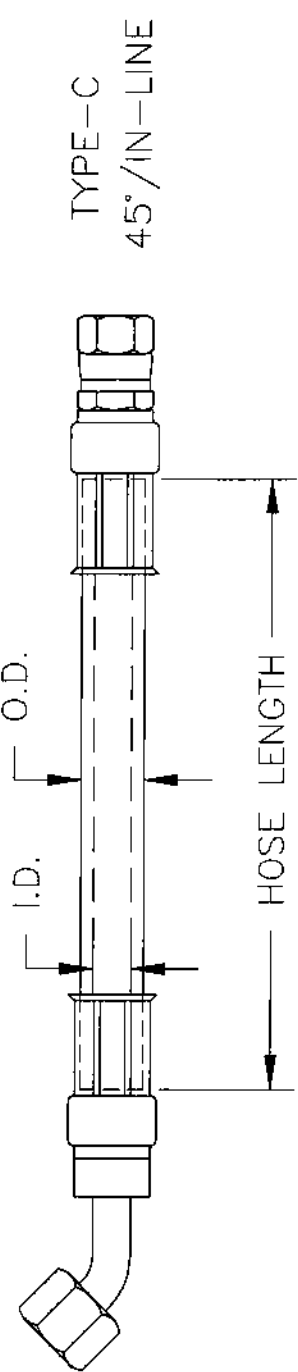


DRAWING REFERENCE ONLY.
 THESE ARE NOT PART NUMBERS!
 C1016077. FOR 1/4" NOM ID
 C1016160. FOR 3/8" NOM ID
 C1016155. FOR 1/2" NOM ID
 C1016980. FOR 3/4" NOM ID



DRAWING REFERENCE ONLY.
 THESE ARE NOT PART NUMBERS!
 C1016154. FOR 1/4" NOM ID
 C1016147. FOR 3/8" NOM ID
 C1030382. FOR 1/2" NOM ID
 C1016149. FOR 3/4" NOM ID



DRAWING REFERENCE ONLY.
 THESE ARE NOT PART NUMBERS!
 C1016978. FOR 1/4" NOM ID
 C1016138. FOR 3/8" NOM ID
 C1026638. FOR 1/2" NOM ID
 C1016979. FOR 3/4" NOM ID

I.D. IS APPROXIMATE NOMINAL INTERNAL DIAMETER.
 O.D. IS APPROXIMATE NOMINAL OUTSIDE DIAMETER.
 USE THE CHART TO DETERMINE THE NOMINAL I.D. OF THE HOSE REQUIRED.
 TO ORDER: SPECIFY HOSE I.D., TYPE AND HOSE LENGTH IN INCHES.
 EXAMPLE: ORDERING A 1/2"-A-20" SPECIFIES A 1/2" NOM I.D.
 IN-LINE/IN-LINE HOSE THAT IS 20" IN LENGTH.

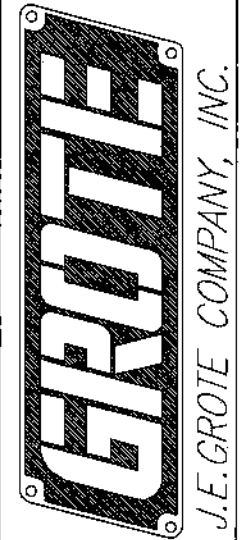
NOMINAL OD	NOMINAL ID
1/2"	1/4"
11/16"	3/8"
13/16"	1/2"
1 1/8"	3/4"

TITLE

HOSE ORDERING GUIDE

THIS DRAWING CONTAINS CONFIDENTIAL INFORMATION AND IS THE EXCLUSIVE PROPERTY OF THE J.E. GROTE CO. NEITHER THE DOCUMENT, NOR ITS CONTENTS, ARE TO BE USED, REPRODUCED OR DISCLOSED IN WHOLE OR IN PART WITHOUT THE EXPRESS WRITTEN PERMISSION OF THE J.E. GROTE CO. COPYRIGHT 2000, J.E. GROTE COMPANY, INC.

SYN	REVISION RECORD	DRWN BY	REQ'D BY	DATE
MATERIAL			TOLERANCES (EXCEPT AS NOTED) .000 ± .005 .00 ± .01 FRAC ± .03 ANGLE ± 0° - 30° 125 ✓	
VN BY DLC	DESIGNED BY JBG	CHECKED BY _____	SPECIFICATIONS NEXT ASSEMBLY _____	
DATE 2-21-03	SCALE 3/8" = 1"			



WEIGHT	REFERENCE
LBS	DRAWING NUMBER
	1126121